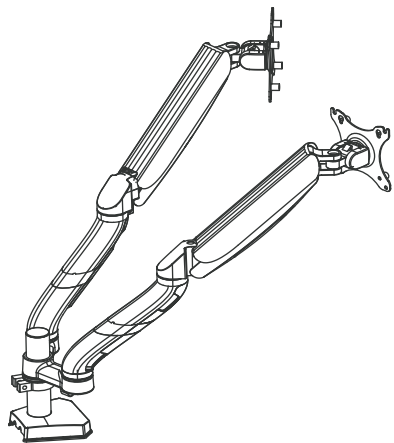




AOC Ergonomic Monitor Arm
Model: AD110D0

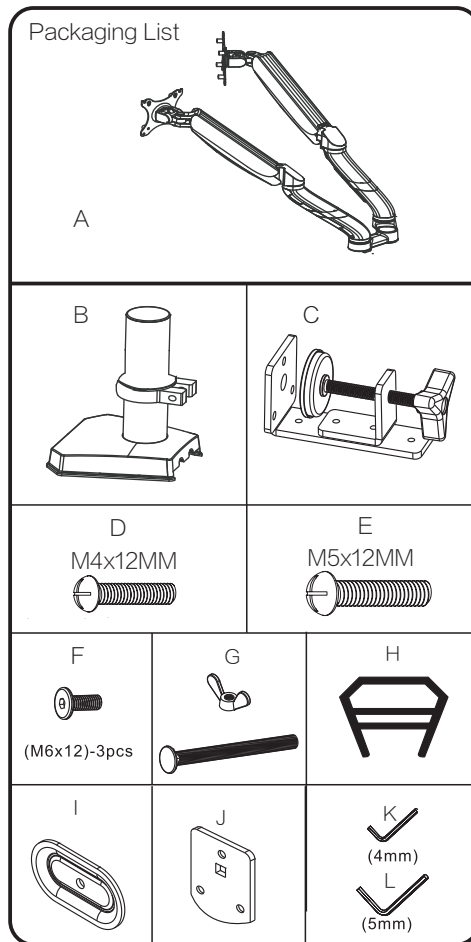


Monitor Size: 13~32"
Weight Capacity: 2~9kg (4.09~19.84 LB)
VESA Size: 75x75mm, 100x100mm

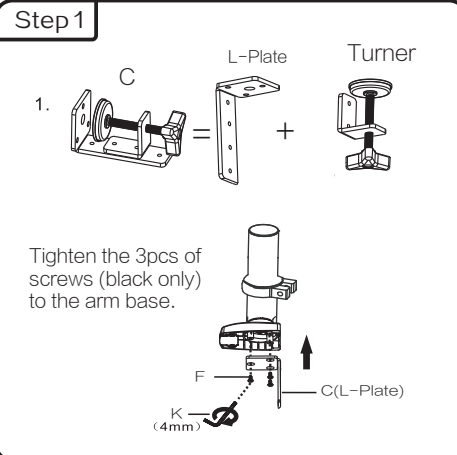
Installation Manual

- A: Clamp-Mounting
- B: Hole-Mounting
- C: Cable-Management
- D: VESA Mount installation
- E: Monitor angles adjustment

Packaging List

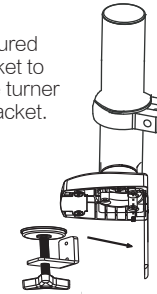


A: Clamp-Mounting Procedures:



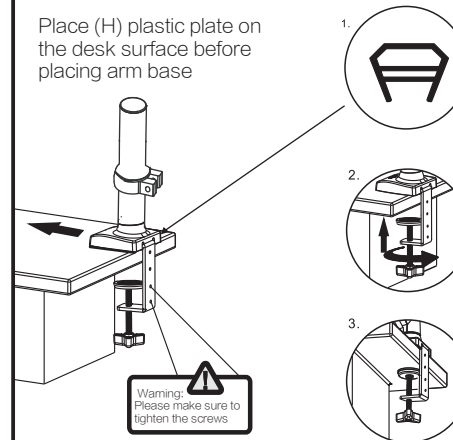
2.

Once you have secured the L-Shaped bracket to the base, attach the turner apparatus to the bracket.

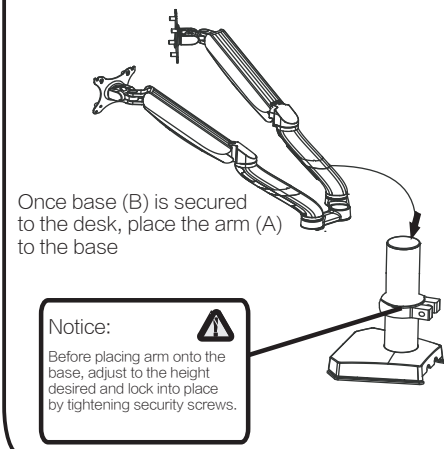


Step 2

Place (H) plastic plate on the desk surface before placing arm base

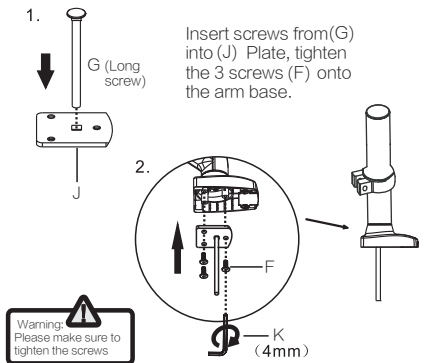


Step 3

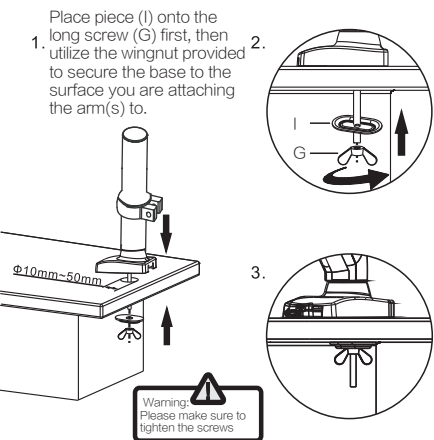


B: Hole-Mounting Procedure

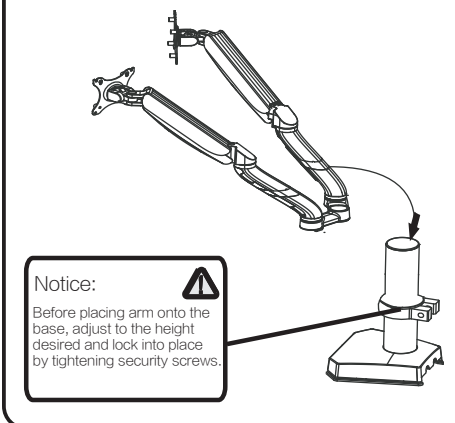
Step 1



Step 2

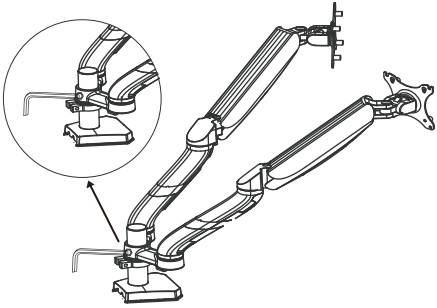


Step 3

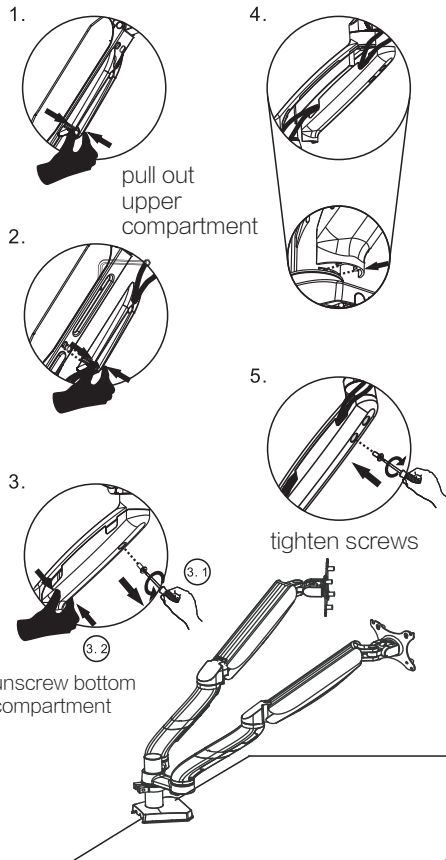


Step 4

When monitor arms are placed in correct position, tighten the hidden screw to lock in monitors arm from shifting.



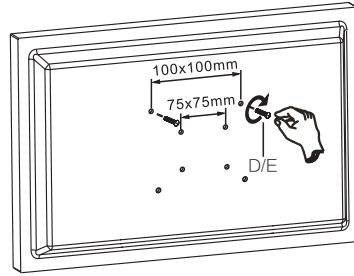
C: Cable Management.



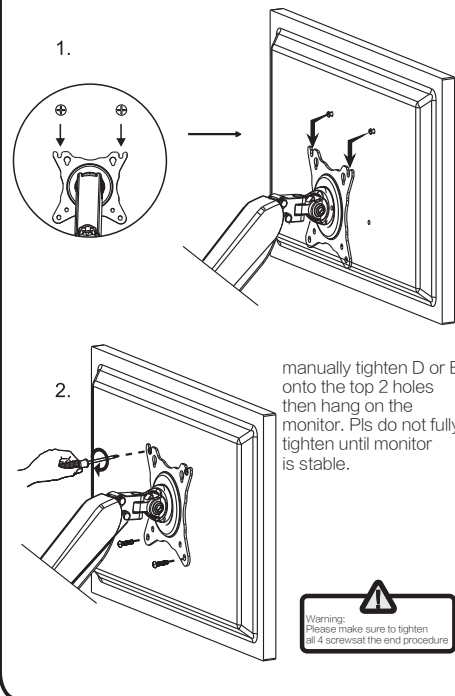
D: Installing VESA Mount

Step 1

VESA:75x75mm,100x100mm

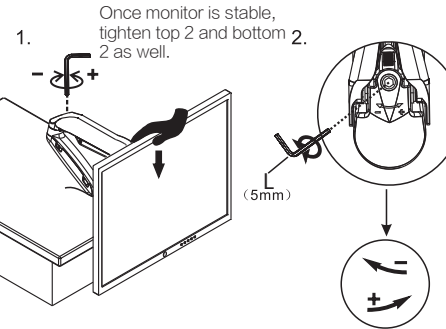


Step 2



Monitor Weight Adjustment

"+" Increase holding capacity
 "- " Decrease holding capacity



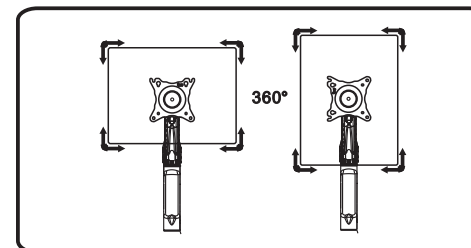
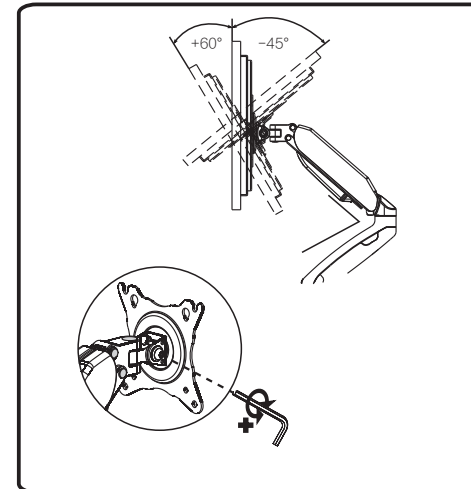
Noted: Please ensure monitor is within 2-9kg weight range

Condition 1: After attached monitor, your monitor is freely moveable in any direction without adjustment.

Condition 2: After monitor is attached, if screen will bounce up, pls use rench provided and turn "-" clockwise direction until stabilized.

Condition 3: After monitor is attached, if screen will sink, pls use rench provided and turn "+" clockwise direction until stabilized.

E: Adjust Monitor angles



AFTER INSTALLATION, ADJUST GAS-SPRING POWER



- 1.Ensure Monitor is tighten to Monitor Arm
- 2.Ensure Monitor is not over-weighted (2-9kg)

Weight Adjustment



Reduce Arm Weight Capacity

Increase Arm Weight Capacity

Warning



Envision Peripherals, Inc.
 490 N.Mcarthy Blvd. Suite #120
 Milpitas, CA 95035

www.aoc.com

Made in China