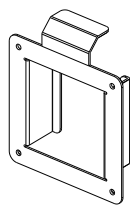


AOC VESA60 bracket offers an easy installation of a small form factor device to AOC monitor of 60th and 70th series (exception 27") with height-adjustment base.

The device can be mounted directly to the bracket (as the below).



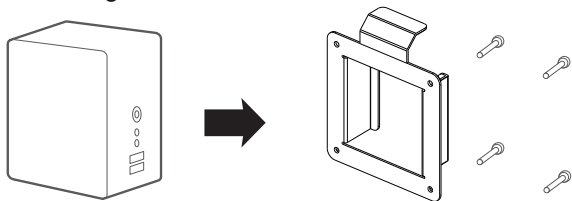
✕ 4

⊙ 4

1

Step 1: Assembly bracket with VESA(100mm*100mm) compatible device

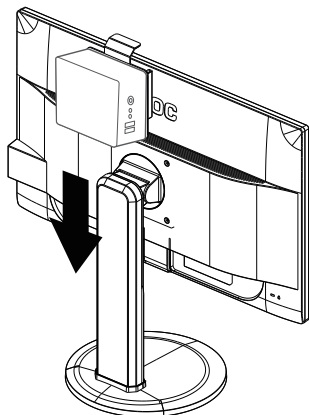
Assembling VESA60 bracket with the device, aligning the positions of the holes and using the screws supplied to screw the two together.



2

Step 2

Sliding VESA60 with the mounted device into the top of the AOC height-adjustment stand.



Printed in China



Q41G78D1813XXA