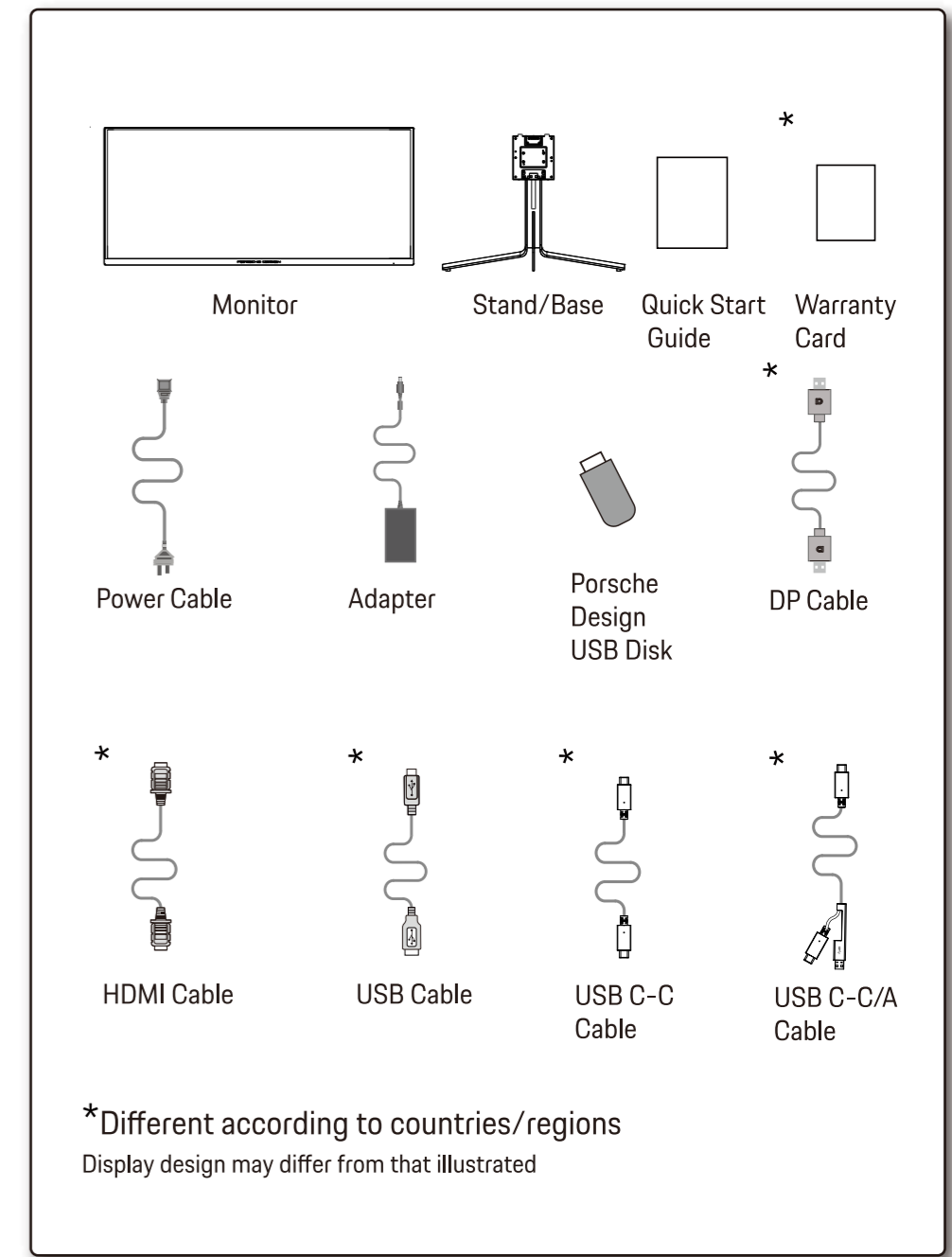
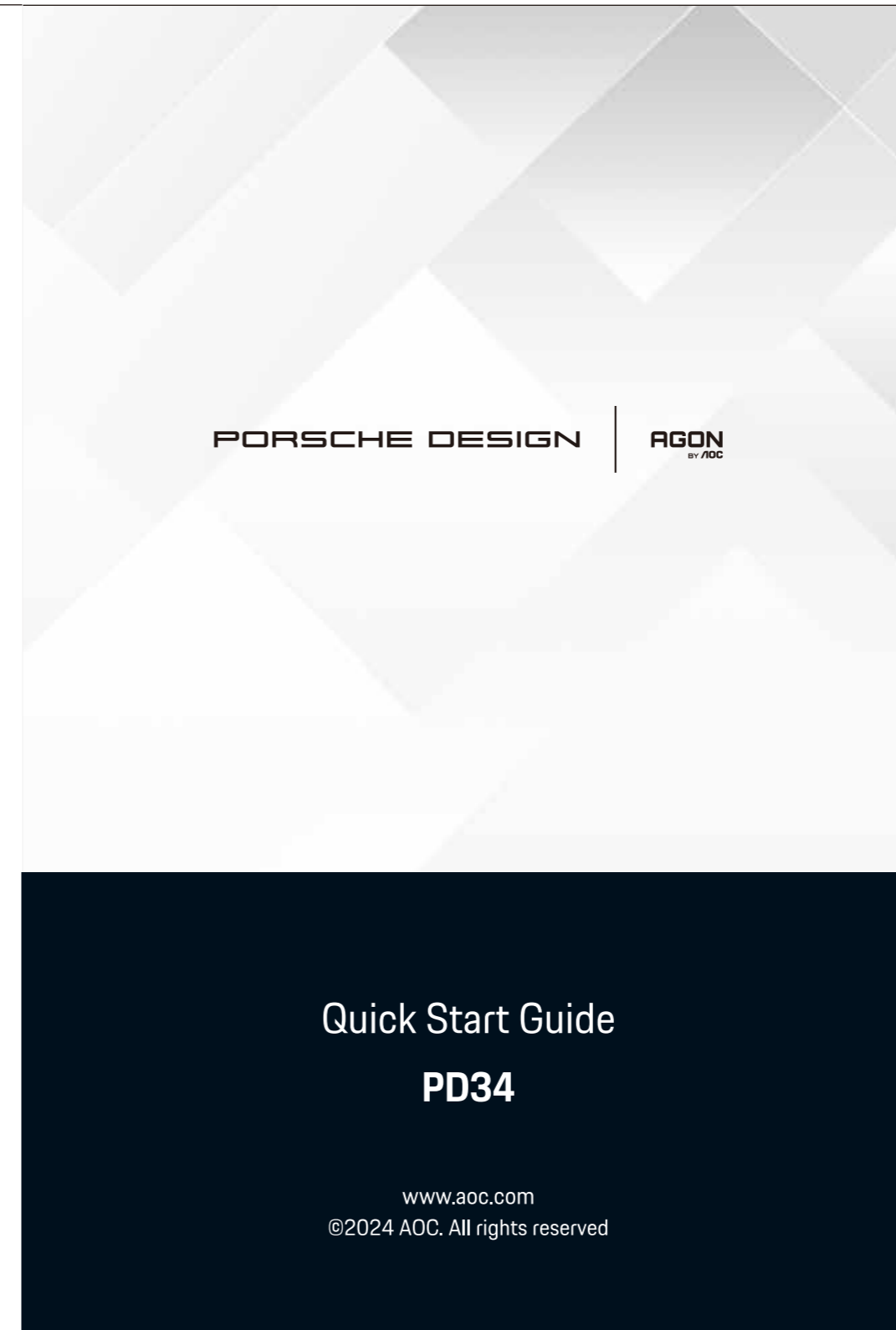
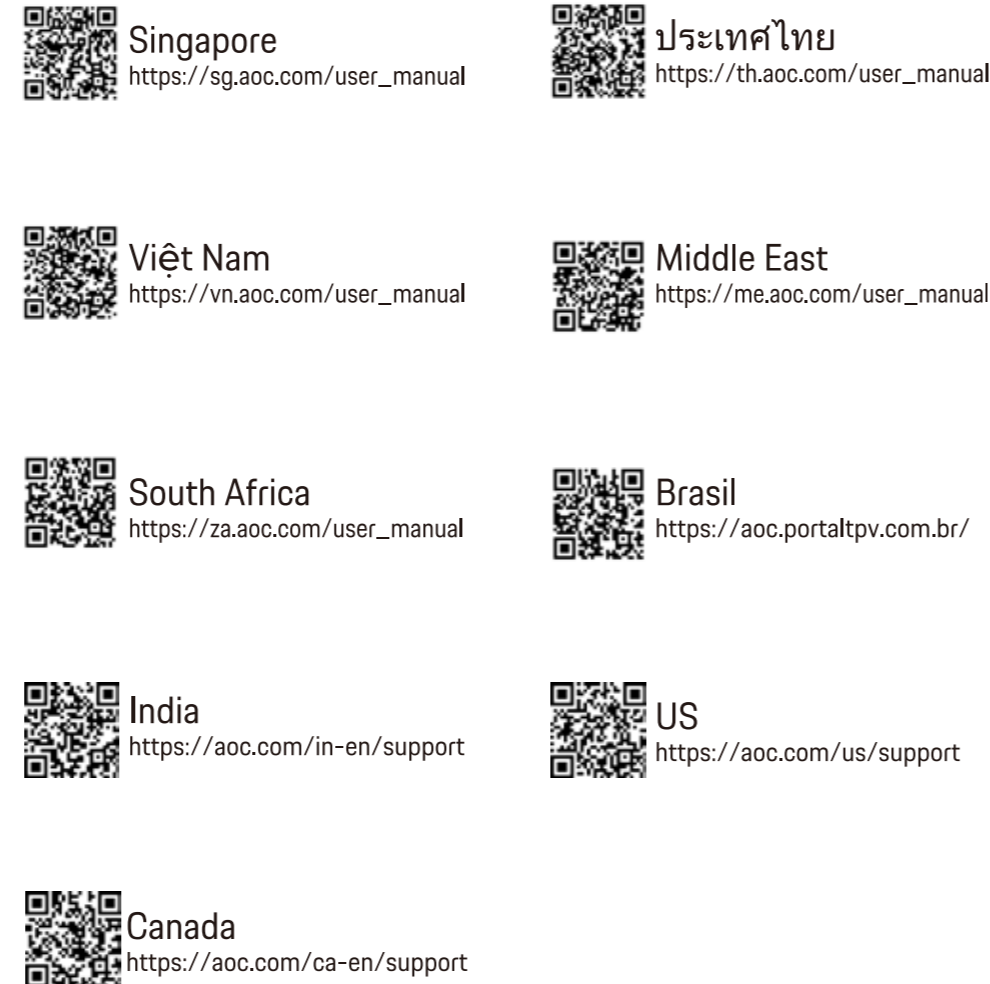
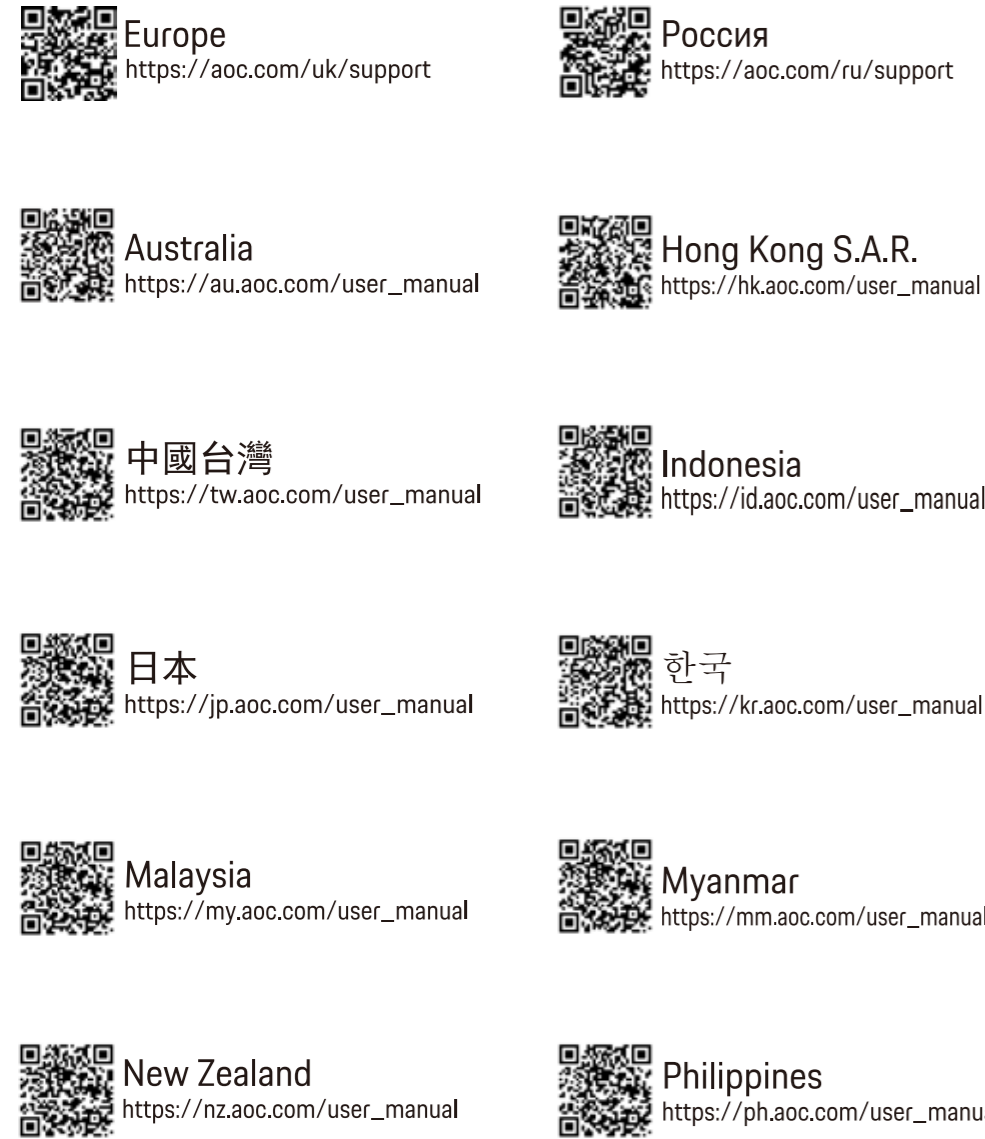
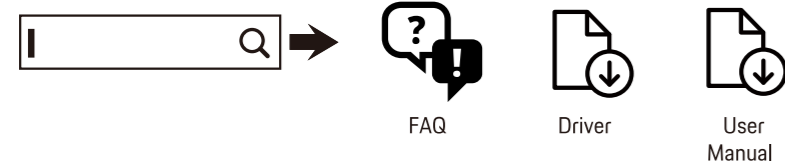
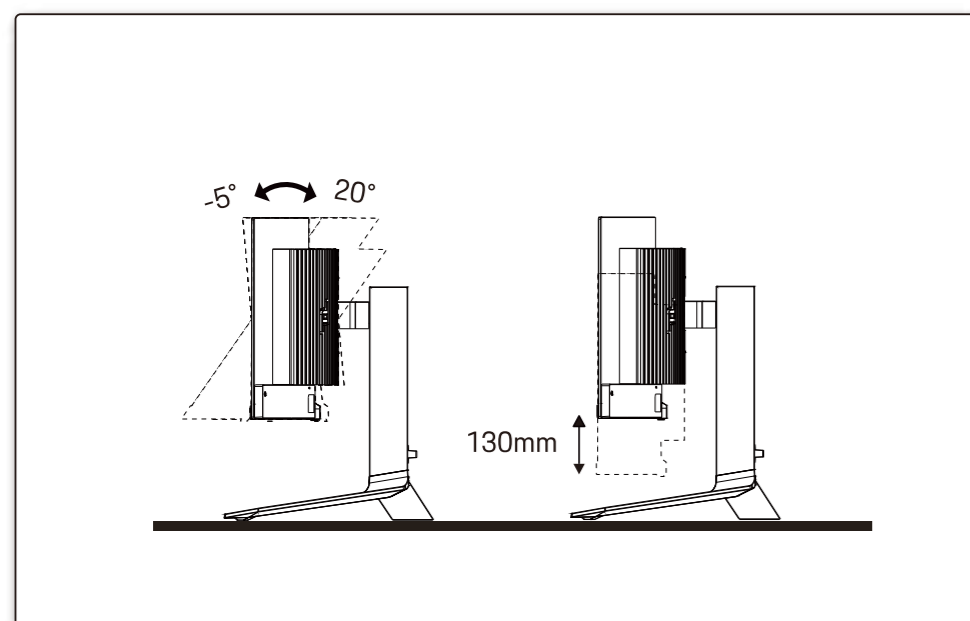
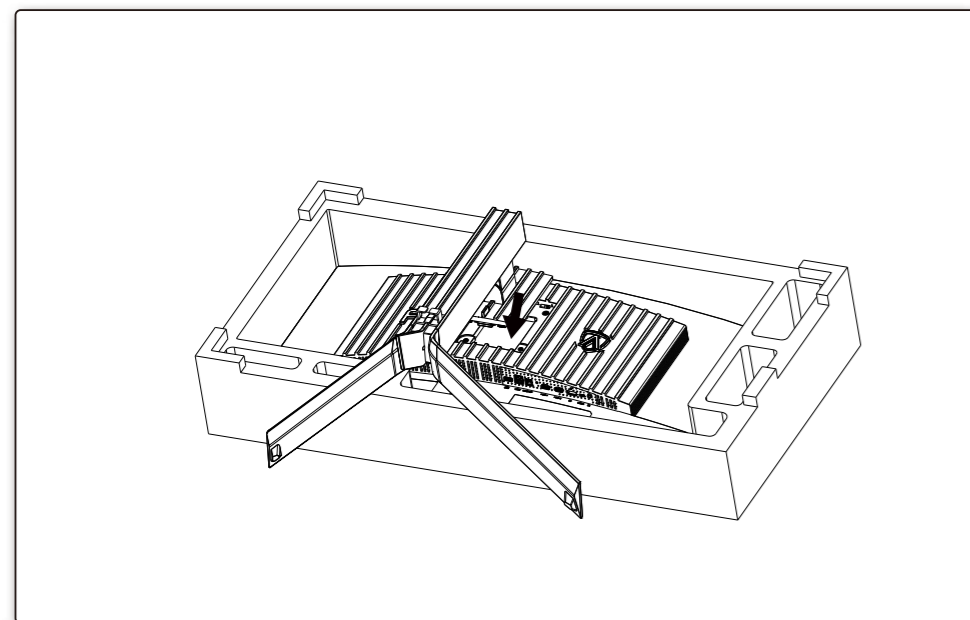


Find your product and get support

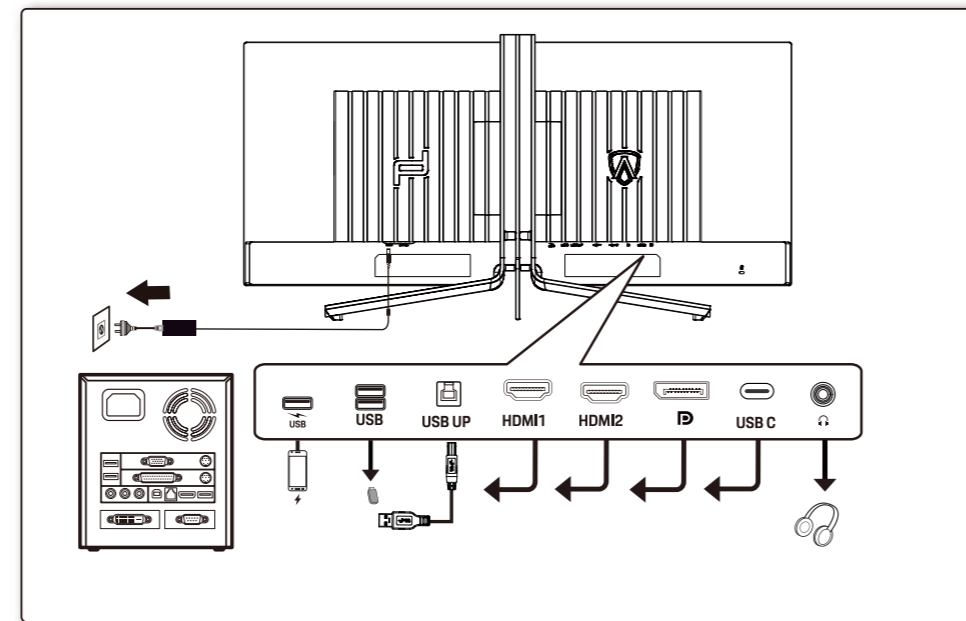
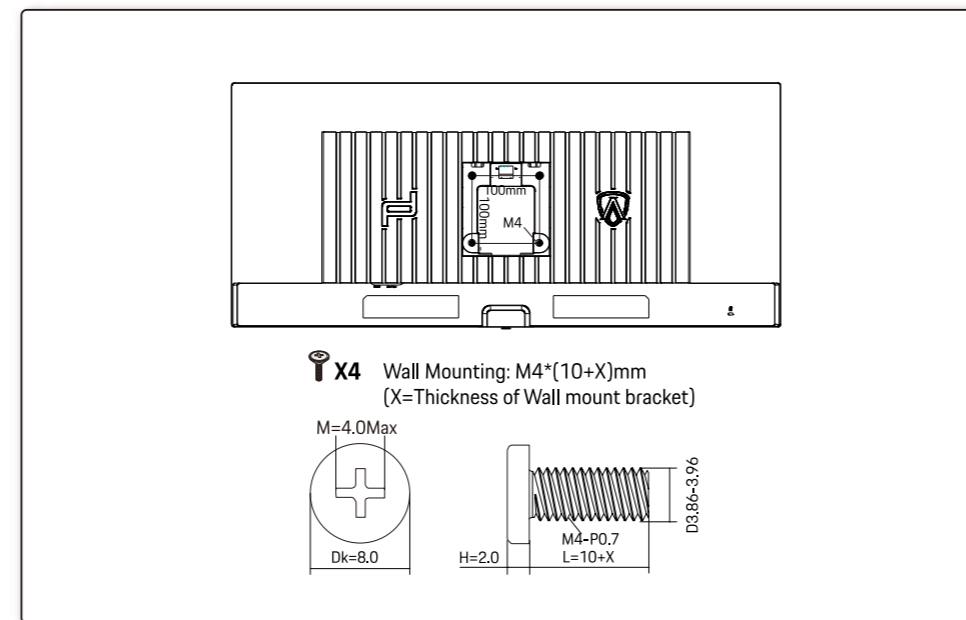


*Different according to countries/regions
Display design may differ from that illustrated

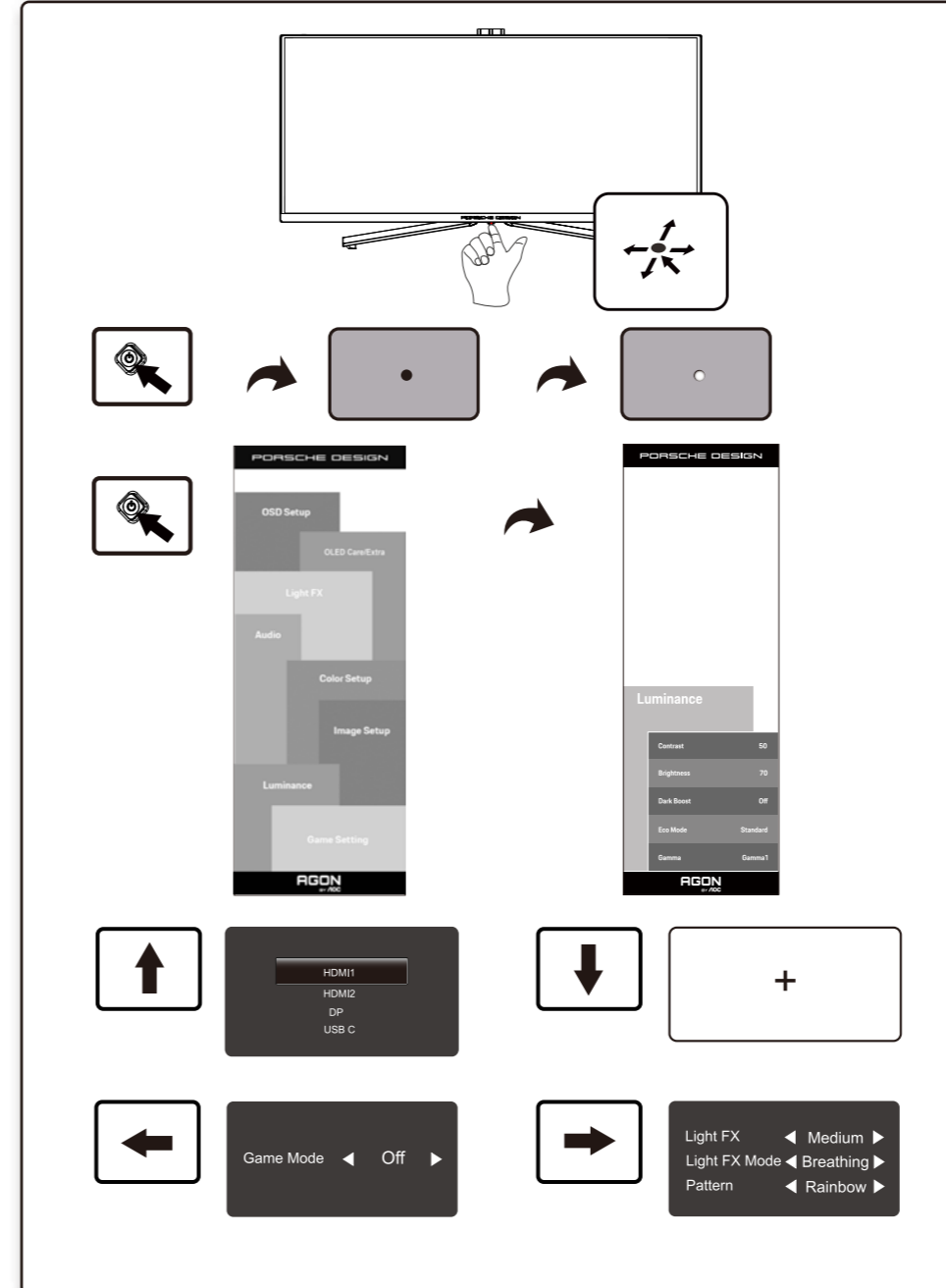
1



2



3



4

General Specification

Panel	Model Name	PD34		
	Driving System	OLED		
	Viewable Image Size	86.8cm Diagonal(34" Wide Screen)		
	Pixel Pitch	0.2315mm(H) x 0.2315mm(V)		
Others	Horizontal Scan Range	30k-360kHz		
	Horizontal Scan Size(Maximum)	800.06mm		
	Vertical Scan Range	48-240Hz		
	Vertical Scan Size(Maximum)	337.06mm		
	Max Resolution	3440x1440@240Hz		
	Plug & Play	VESA DDC2B/CI		
	Power Source	19.5V ≈ 11.8A		
	Power Consumption	Typical (default brightness and contrast)	108W*	
		Max. (brightness = 100, contrast = 100)	≤ 240W*	
		Standby mode	≤ 0.5W	
Dimensions(With Stand)	811.7x(411.9-541.9)x327.8mm(WxHxD)			
	Net Weight	9.08kg		
	Connector Type	HDMI2 / DisplayPort / USB C / USBx3 / USB Upstream / Earphone		
Physical Characteristics	Signal Cable Type	Detachable		
	Built-In Speaker	8Wx2		
Environmental	Temperature	Operating	0°C ~ 40°C	
		Non-Operating	-25°C ~ 55°C	
	Humidity	Operating	10%~85% (Non-Condensing)	
		Non-Operating	5%~93% (Non-Condensing)	
	Altitude	Operating	0m~5000m (0ft~16404ft)	
		Non-Operating	0m~12192m (0ft~40000ft)	

*The power specification is the power consumption of display (including power adapter) tested at the input end of the power adapter.