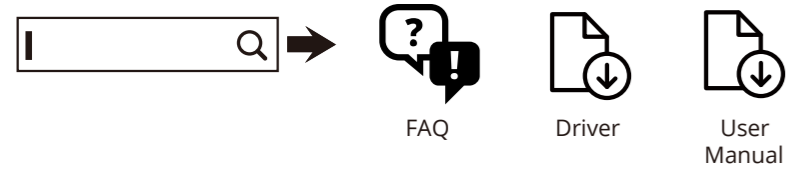


Find your product and get support



Europe
<https://eu.aoc.com/en/support>

Россия
<https://eu.aoc.com/ru/support>

Australia
https://au.aoc.com/user_manual

Hong Kong S.A.R.
https://hk.aoc.com/user_manual

中國台灣
https://tw.aoc.com/user_manual

Indonesia
https://id.aoc.com/user_manual

日本
https://jp.aoc.com/user_manual

한국
https://kr.aoc.com/user_manual

Malaysia
https://my.aoc.com/user_manual

Myanmar
https://mm.aoc.com/user_manual

New Zealand
https://nz.aoc.com/user_manual

Philippines
https://ph.aoc.com/user_manual

Singapore
https://sg.aoc.com/user_manual

ประเทศไทย
https://th.aoc.com/user_manual

Việt Nam
https://vn.aoc.com/user_manual

Middle East
https://me.aoc.com/user_manual

South Africa
https://za.aoc.com/user_manual

Brasil
<https://aoc.portaltpv.com.br/>

India
https://www.aocindia.com/download_manuals.php

US/Canada
<https://us.aoc.com/en-US/downloads>



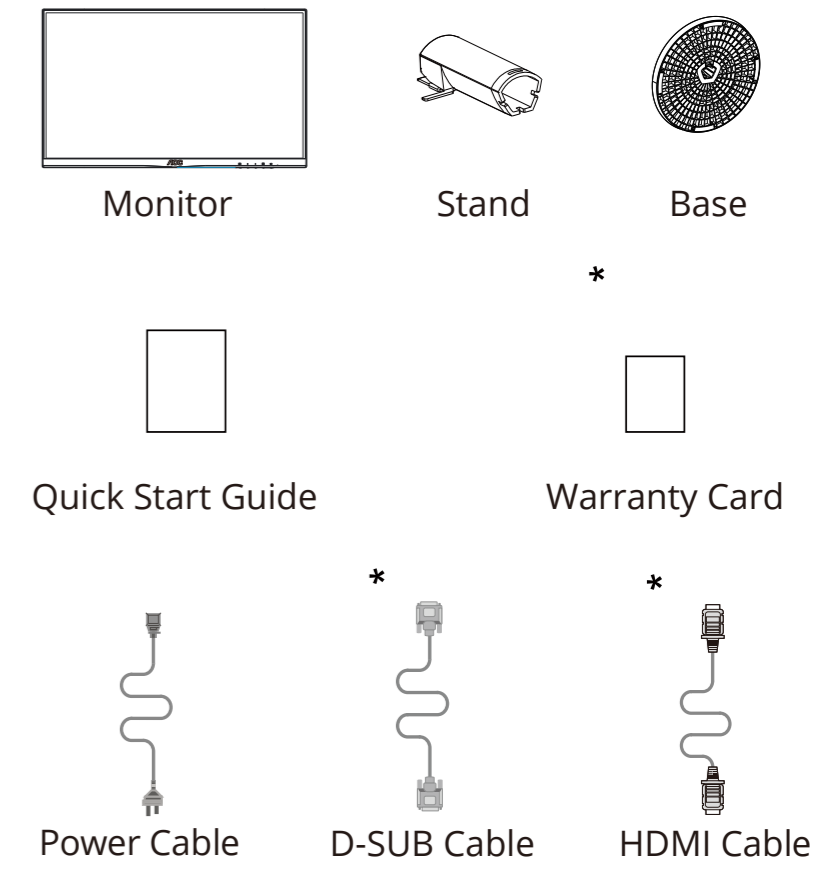
AOC



Quick Start Guide

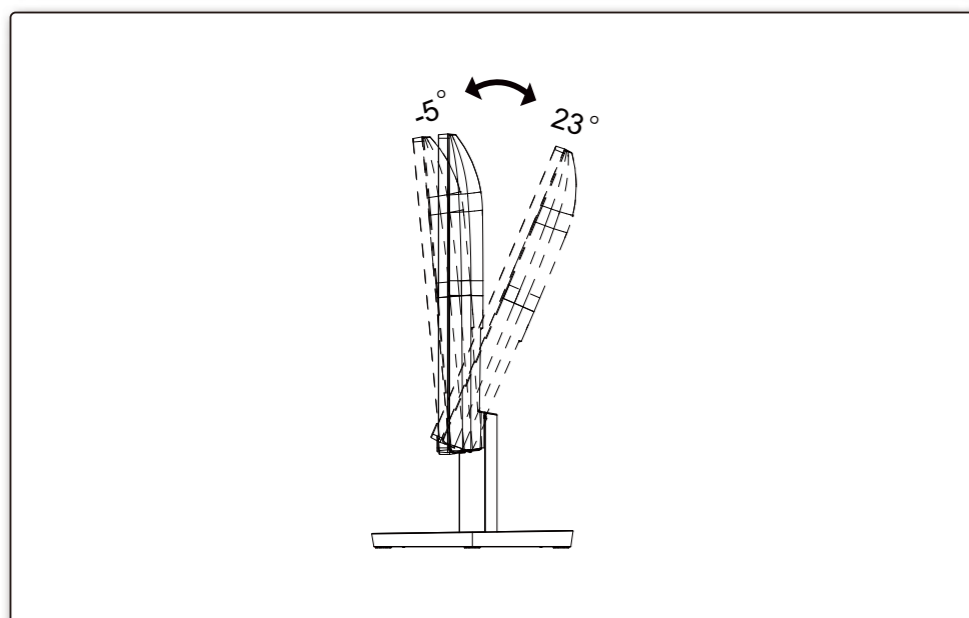
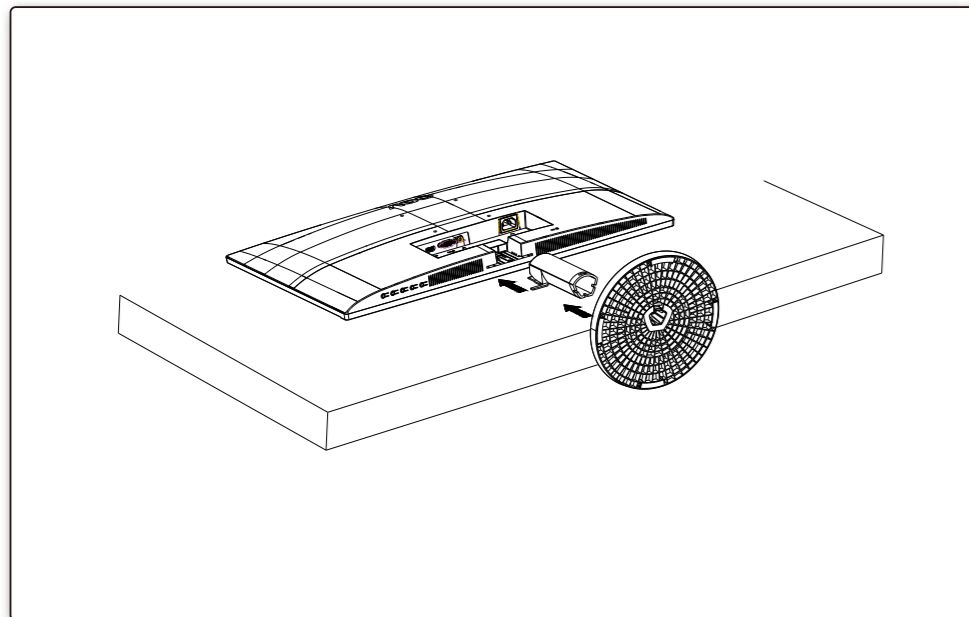
27B3HMA2

www.aoc.com
 ©2023 AOC.All Rights Reserved

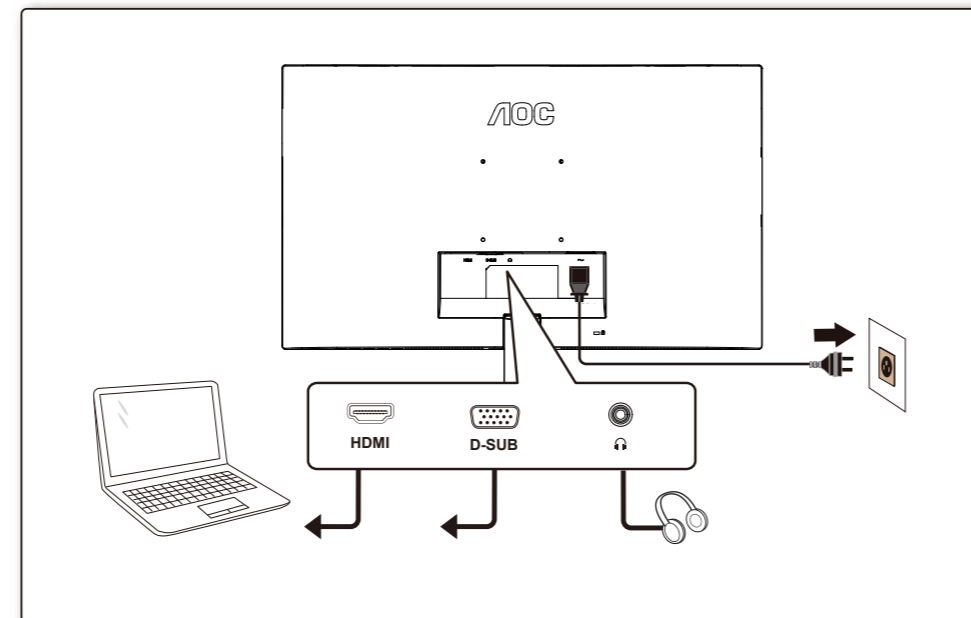
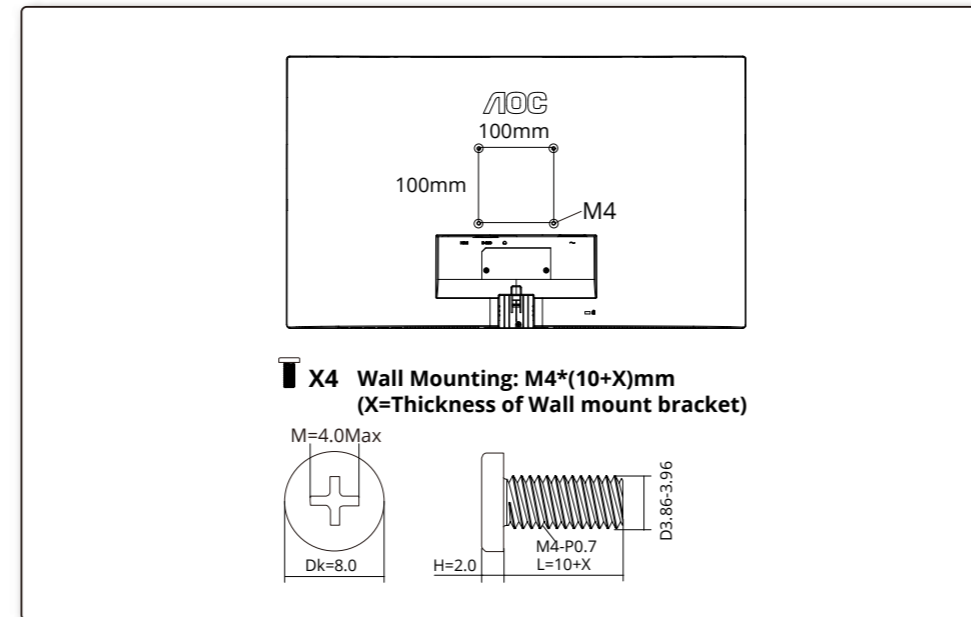


*Different according to countries/regions
 Display design may differ from that illustrated

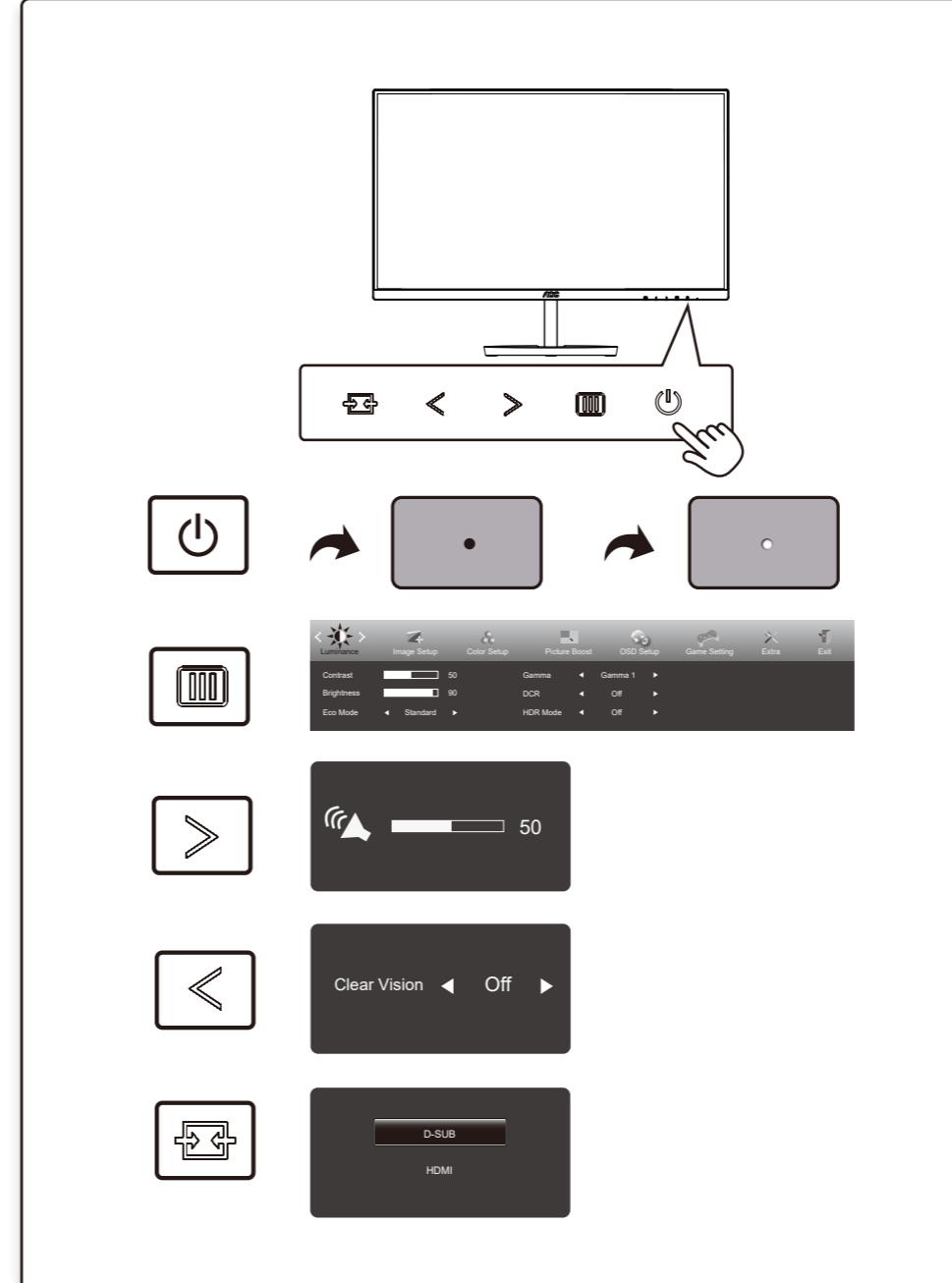
1



2



3



4

General Specification

Panel	Model Name	27B3HMA2	
	Driving System	TFT Color LCD	
	Viewable Image Size	68.6cm diagonal (27" Wide Screen)	
	Pixel Pitch	0.3114mm(H) x 0.3114mm(V)	
Others	Horizontal Scan Range	30k~115kHz	
	Horizontal Scan Size(Maximum)	597.888mm	
	Vertical Scan Range	48-100Hz	
	Vertical Scan Size(Maximum)	336.312mm	
	Max Resolution	1920x1080@60Hz (D-SUB) 1920x1080@100Hz (HDMI)	
	Plug & Play	VESA DDC2B/CI	
	Power Source	100-240V~, 50/60Hz, 1.5A	
Power Consumption	Typical (default brightness and contrast)	23W	
	Max. (brightness =100, contrast =100)	≤ 35W	
	Standby mode	≤ 0.5W	
Dimensions(with stand)	614.0x460.0x229.8mm (WxHxD)		
Net Weight	3.71kg		
Physical Characteristics	Connector Type	HDMI/D-Sub/Earphone out	
	Signal Cable Type	Detachable	
	Built-In Speaker	2Wx2	
Environmental	Temperature	Operating	0°C~40°C
		Non-Operating	-25°C~55°C
	Humidity	Operating	10%~85% (non-condensing)
		Non-Operating	5%~93% (non-condensing)
	Altitude	Operating	0m~5000m (0~ 16404ft)
		Non-Operating	0m~12192m (0~ 40000ft)