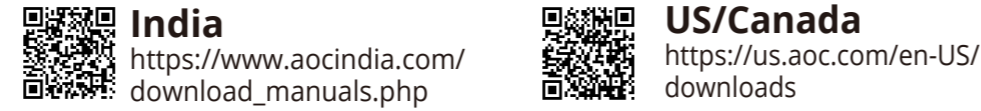
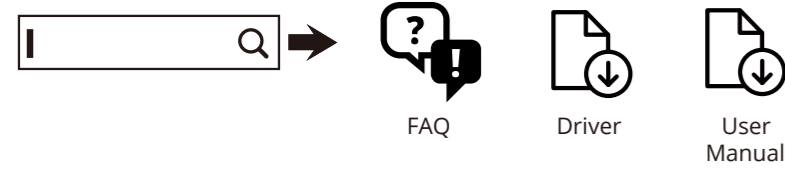


Find your product and get support



F41G24M1615XXX

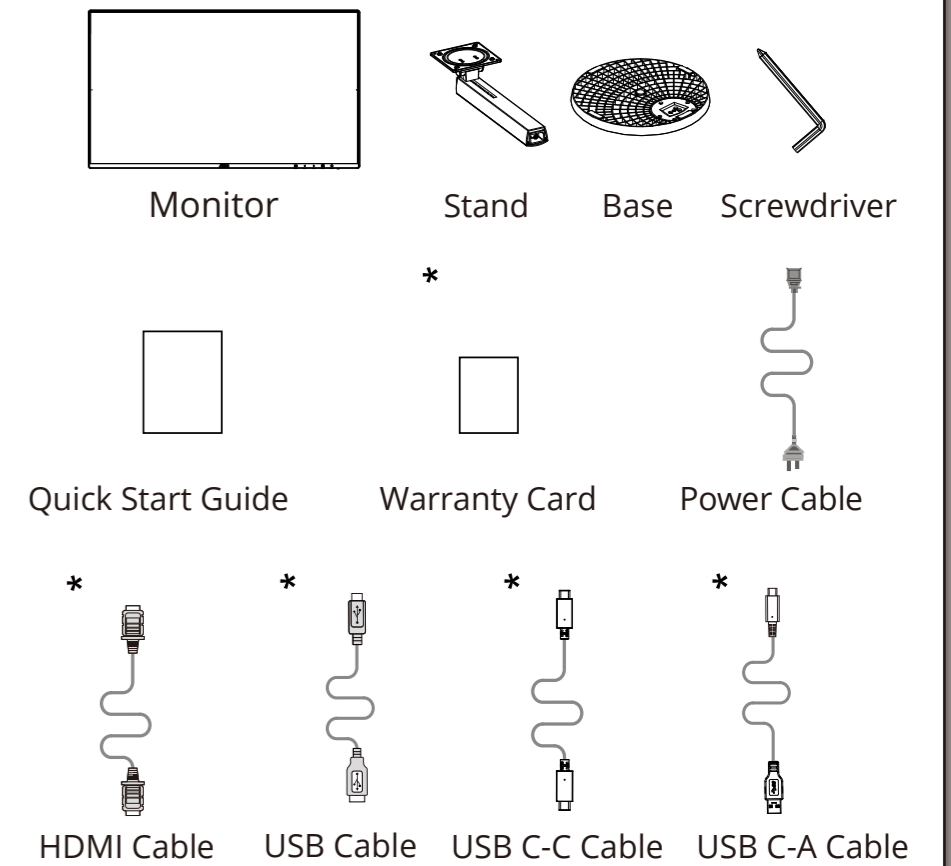
AOC



Quick Start Guide

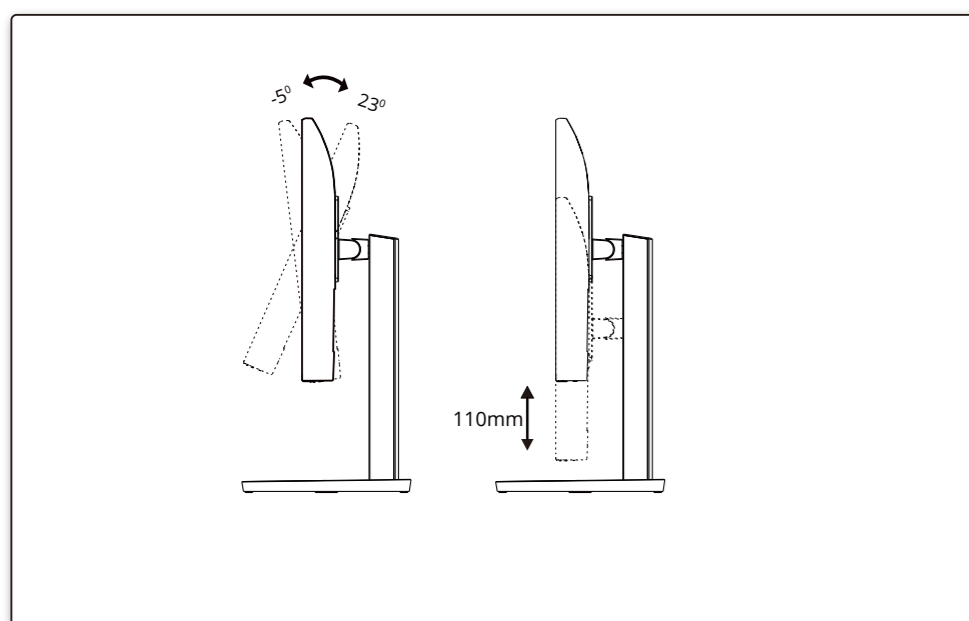
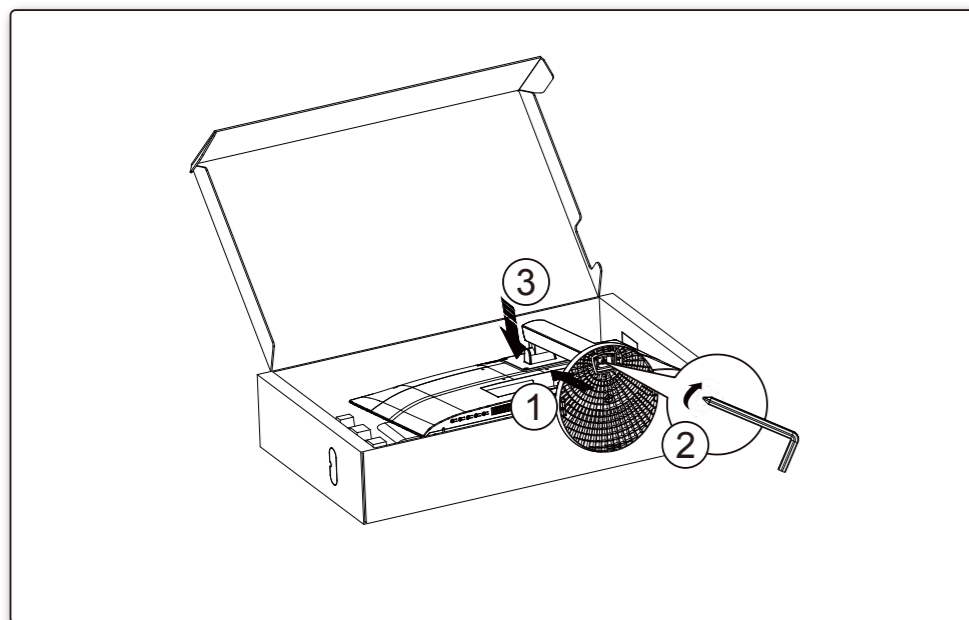
24B3CF2

www.aoc.com
©2023 AOC.All Rights Reserved

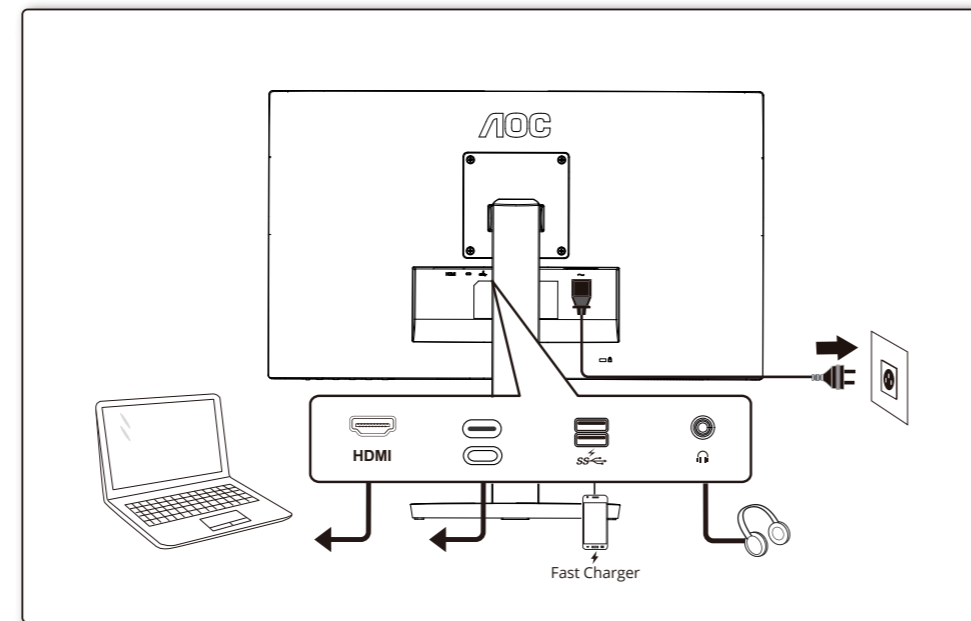
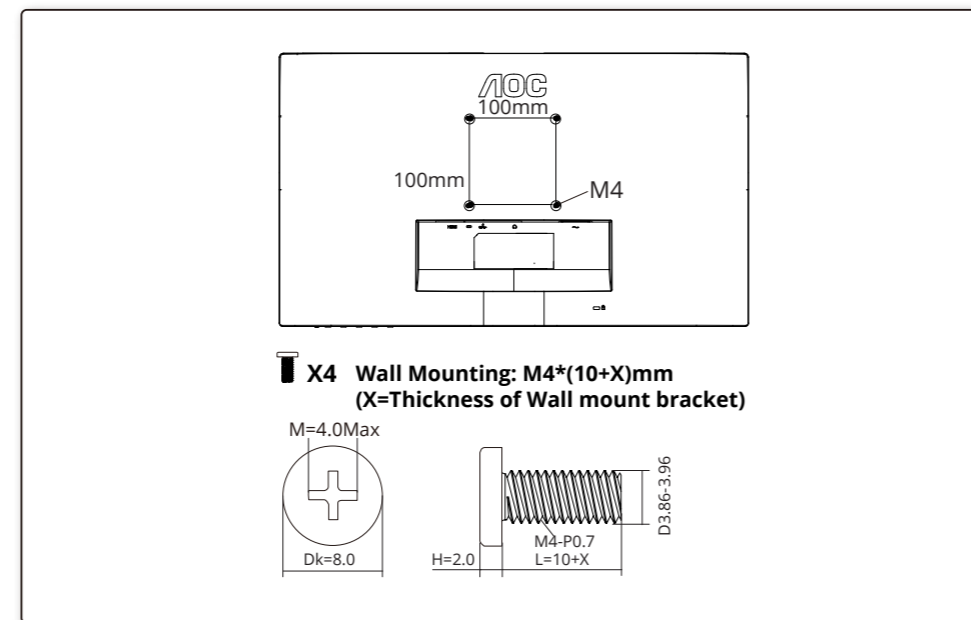


*Different according to countries/regions
Display design may differ from that illustrated

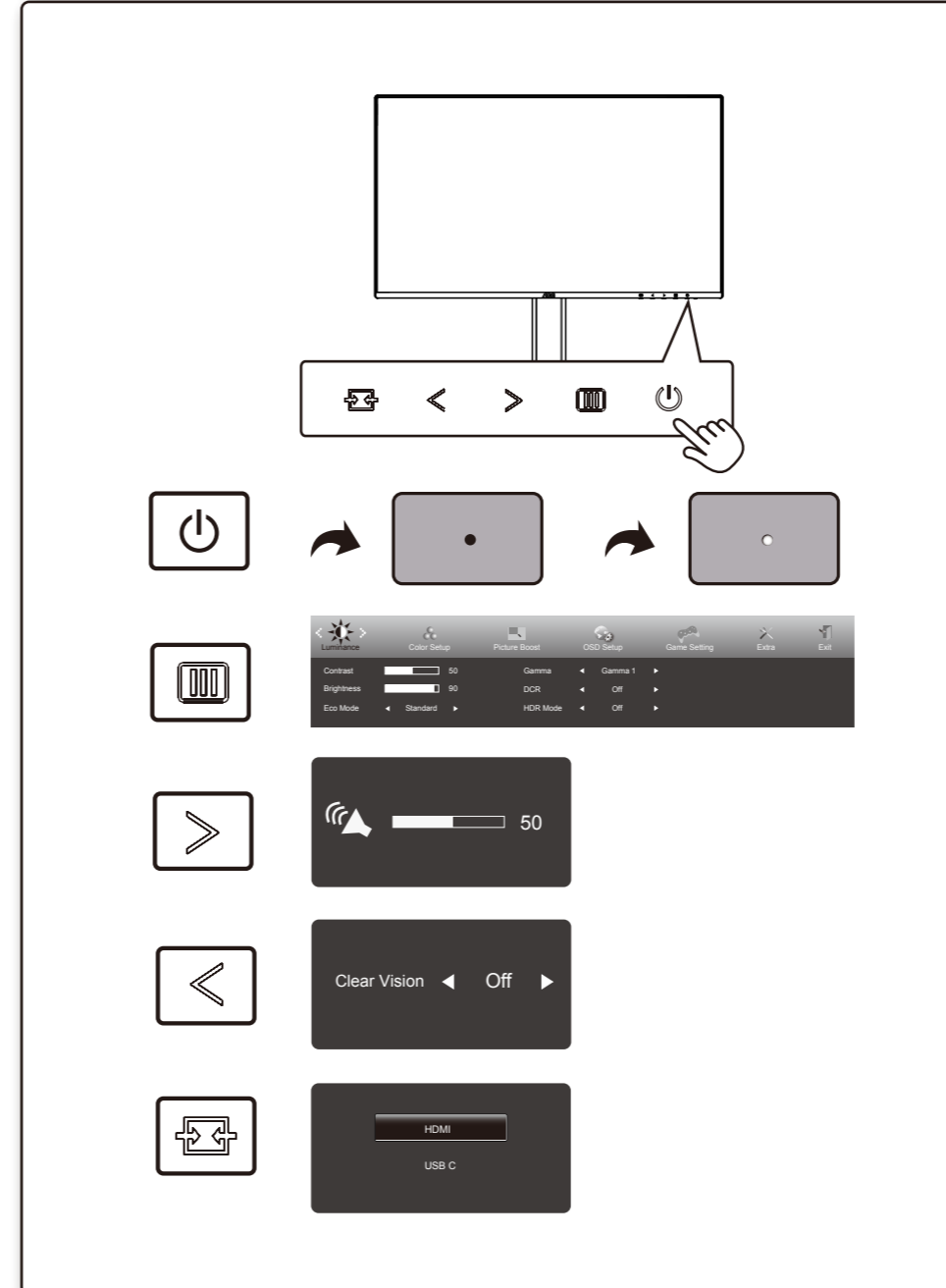
1



2



3



4

General Specification

Panel	Model Name	24B3CF2		
	Driving System	TFT Color LCD		
	Viewable Image Size	60.5cm Diagonal(23.8" Wide Screen)		
Others	Pixel Pitch	0.2745mm(H) x 0.2745mm(V)		
	Horizontal Scan Range	30k-115kHz		
	Horizontal Scan Size(Maximum)	527.04mm		
	Vertical Scan Range	48-100Hz		
	Vertical Scan Size(Maximum)	296.46mm		
	Max Resolution	1920x1080@100Hz		
	Plug & Play	VESA DDC2B/CI		
	Power Source	100-240V~, 50/60Hz, 1.5A		
	Power Consumption	Typical(Default Brightness And Contrast)	30W	
		Max. (Brightness = 100, Contrast = 100)	≤ 130W	
Physical Characteristics	Standby Mode	≤ 0.5W		
	Dimensions(with stand)	542.4x(359.9~469.9)x229.8 (WxHxD)		
	Net Weight	4.56kg		
Connector Type	Signal Cable Type	Detachable		
	Built-In Speaker	2Wx2		
Environmental	Temperature	Operating	0°C~40°C	
		Non-Operating	-25°C~55°C	
	Humidity	Operating	10%~85% (Non-Condensing)	
		Non-Operating	5%~93% (Non-Condensing)	
Altitude	Operating	0m~5000m(0ft~16404ft)		
	Non-Operating	0m~12192m(0ft~40000ft)		