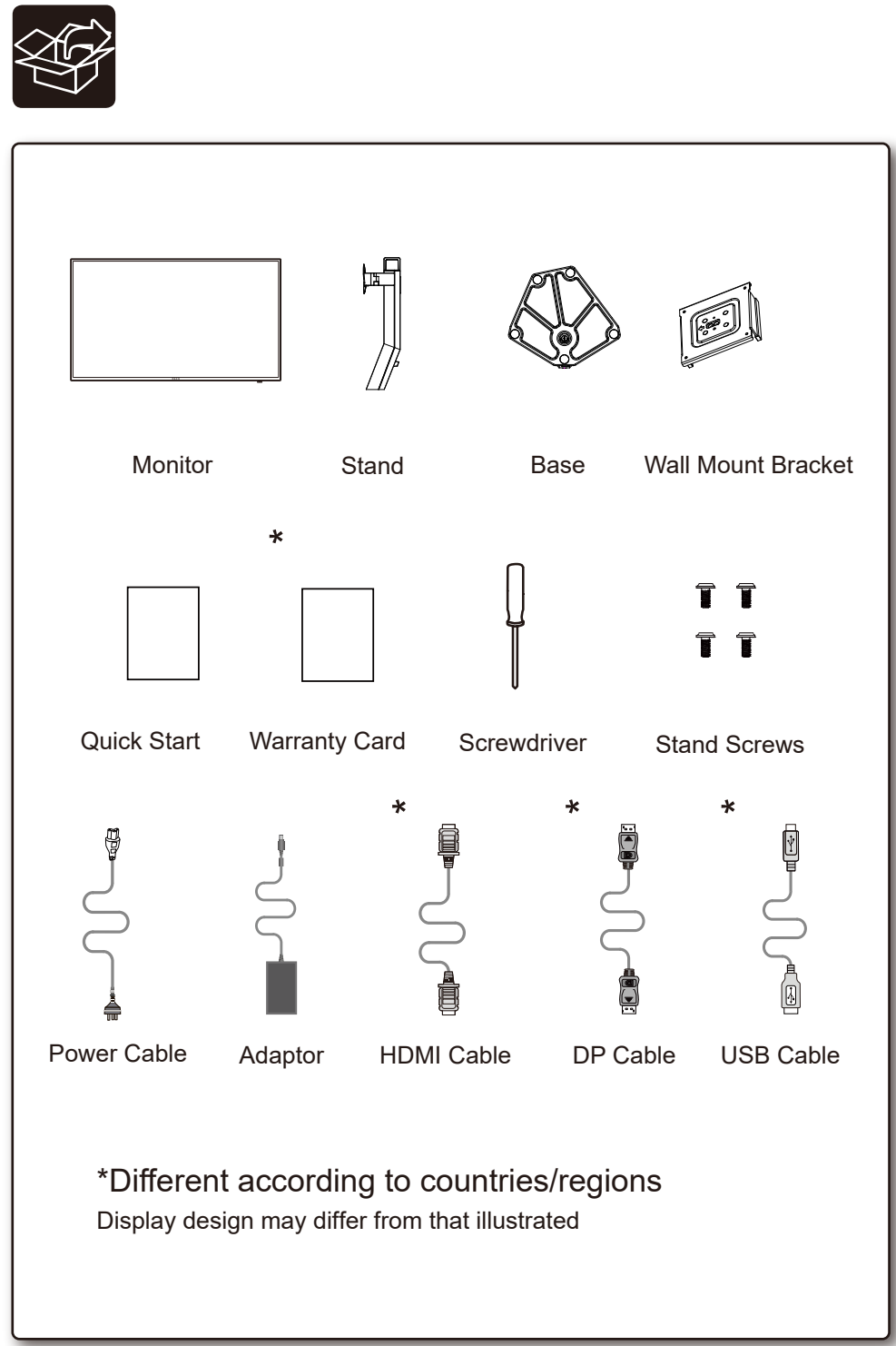
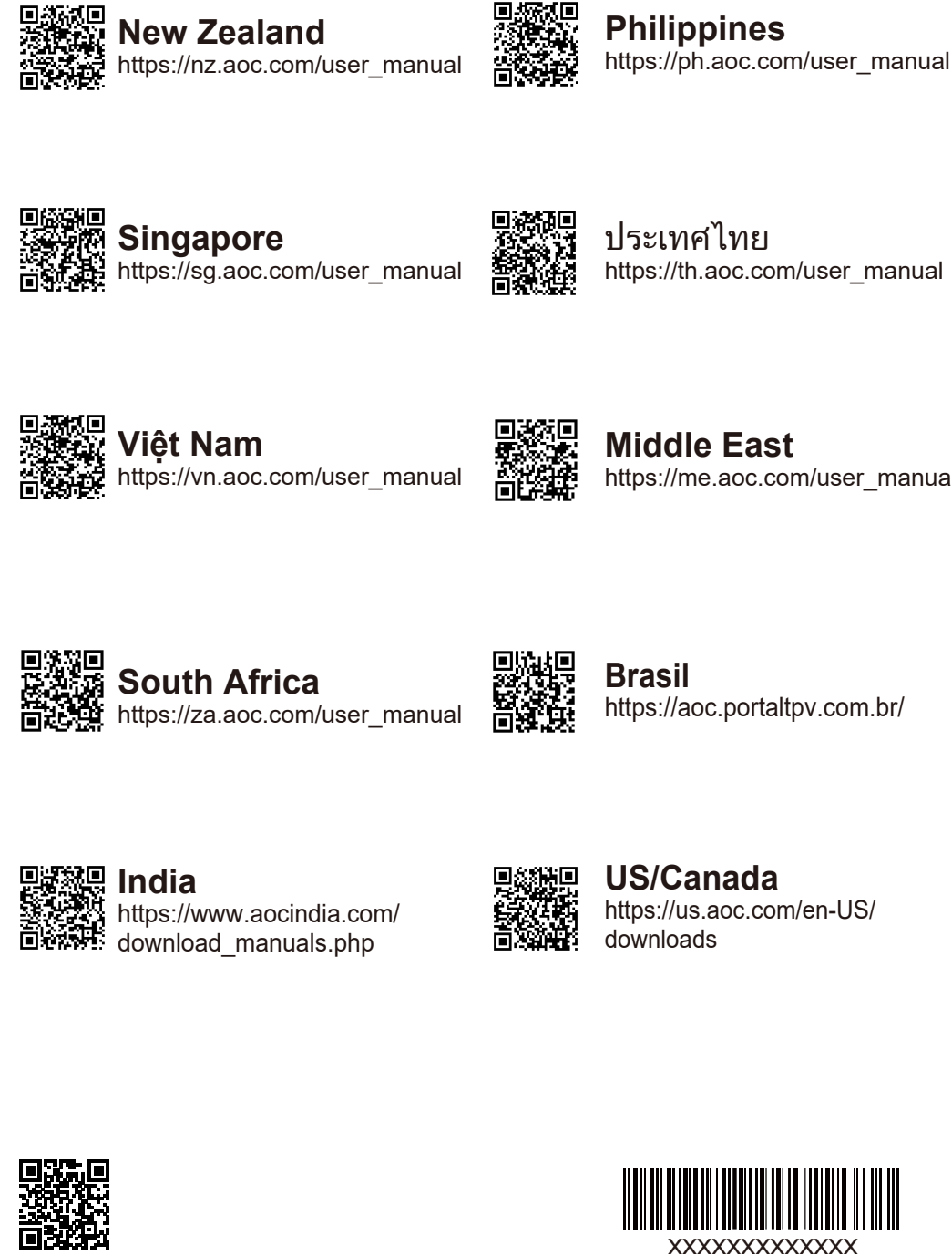
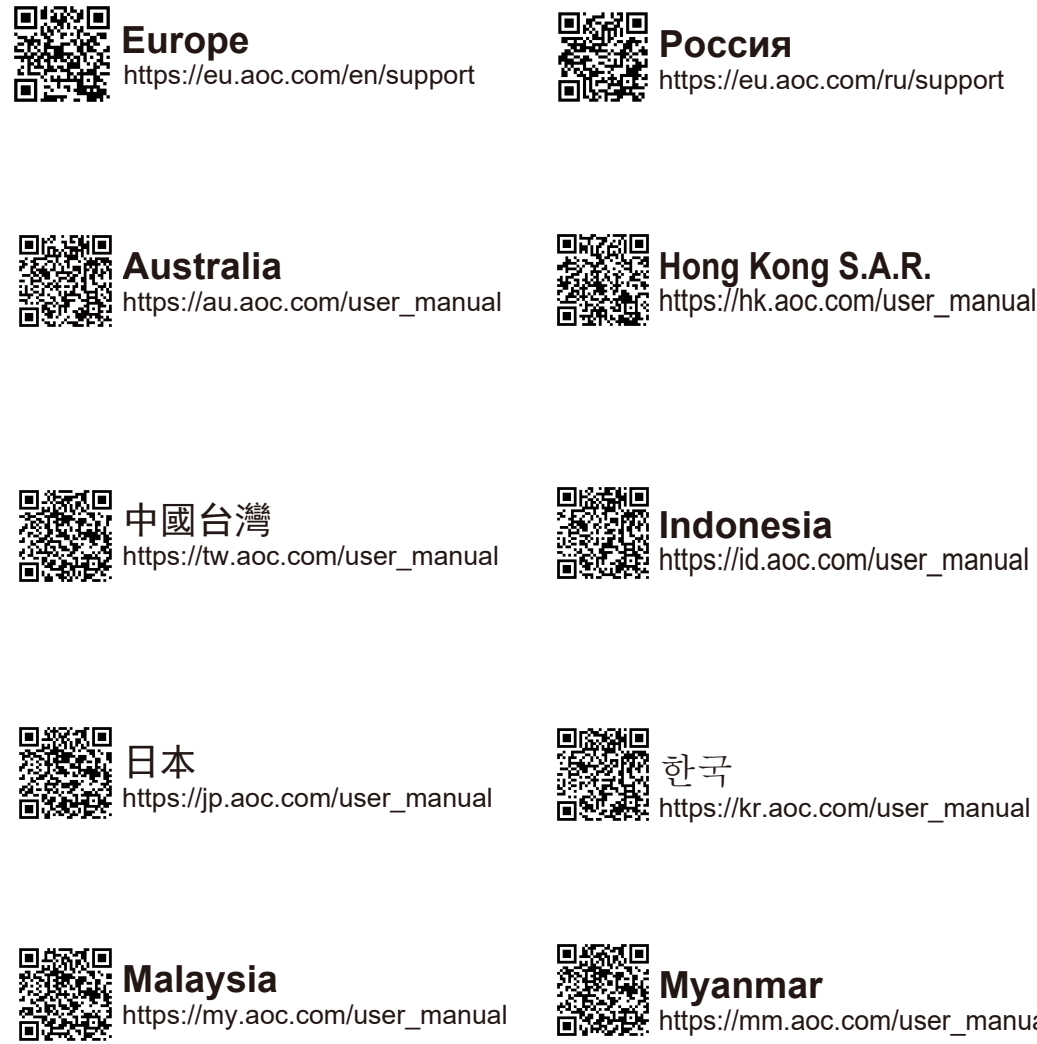
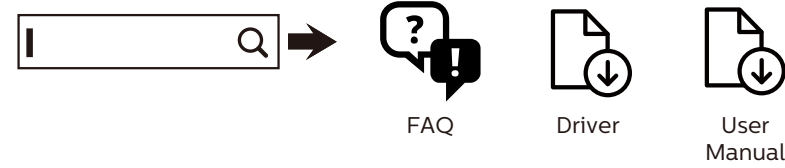
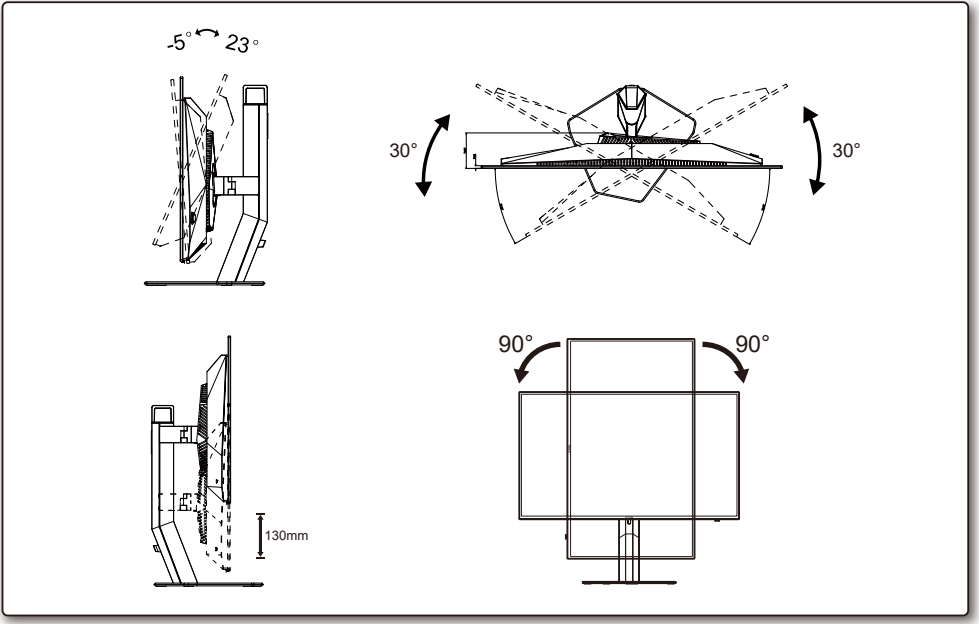
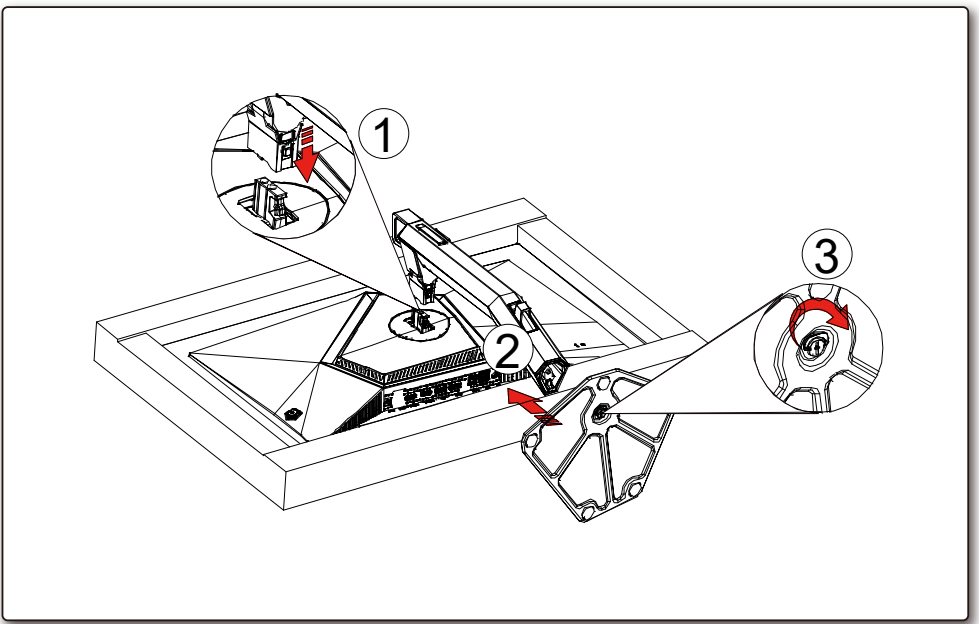


Find your product and get support

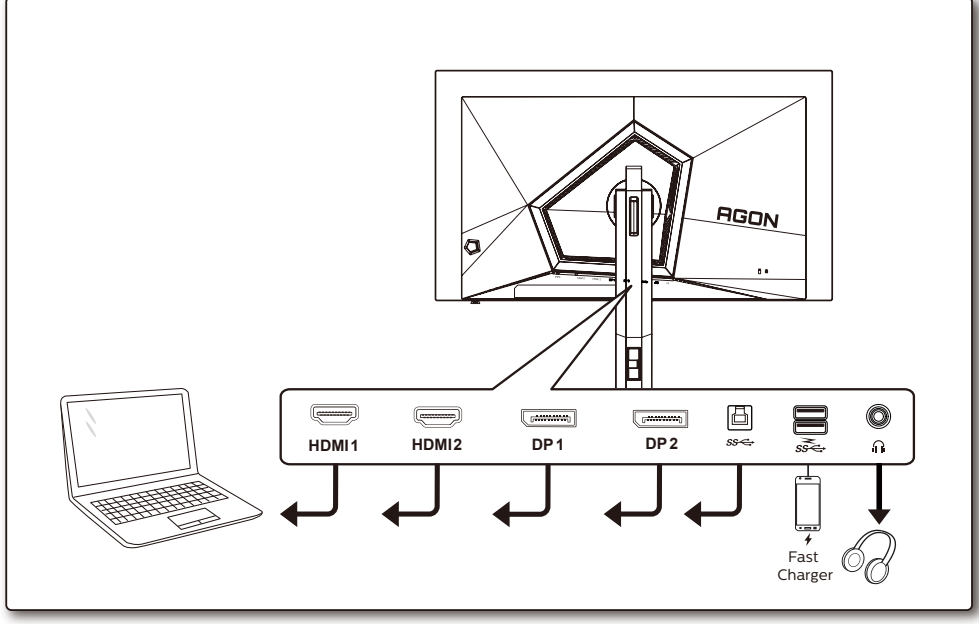
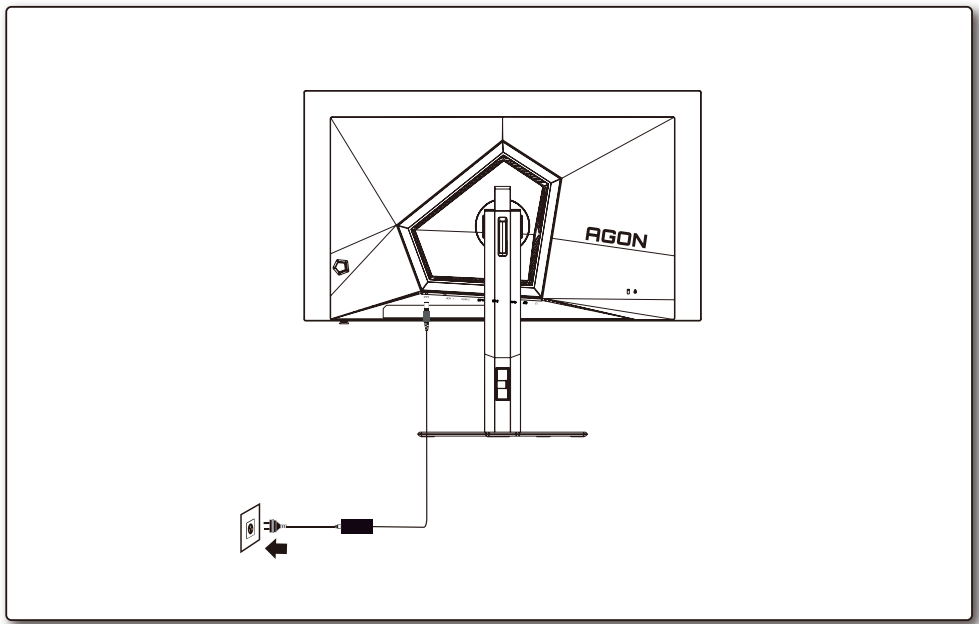


*Different according to countries/regions
Display design may differ from that illustrated

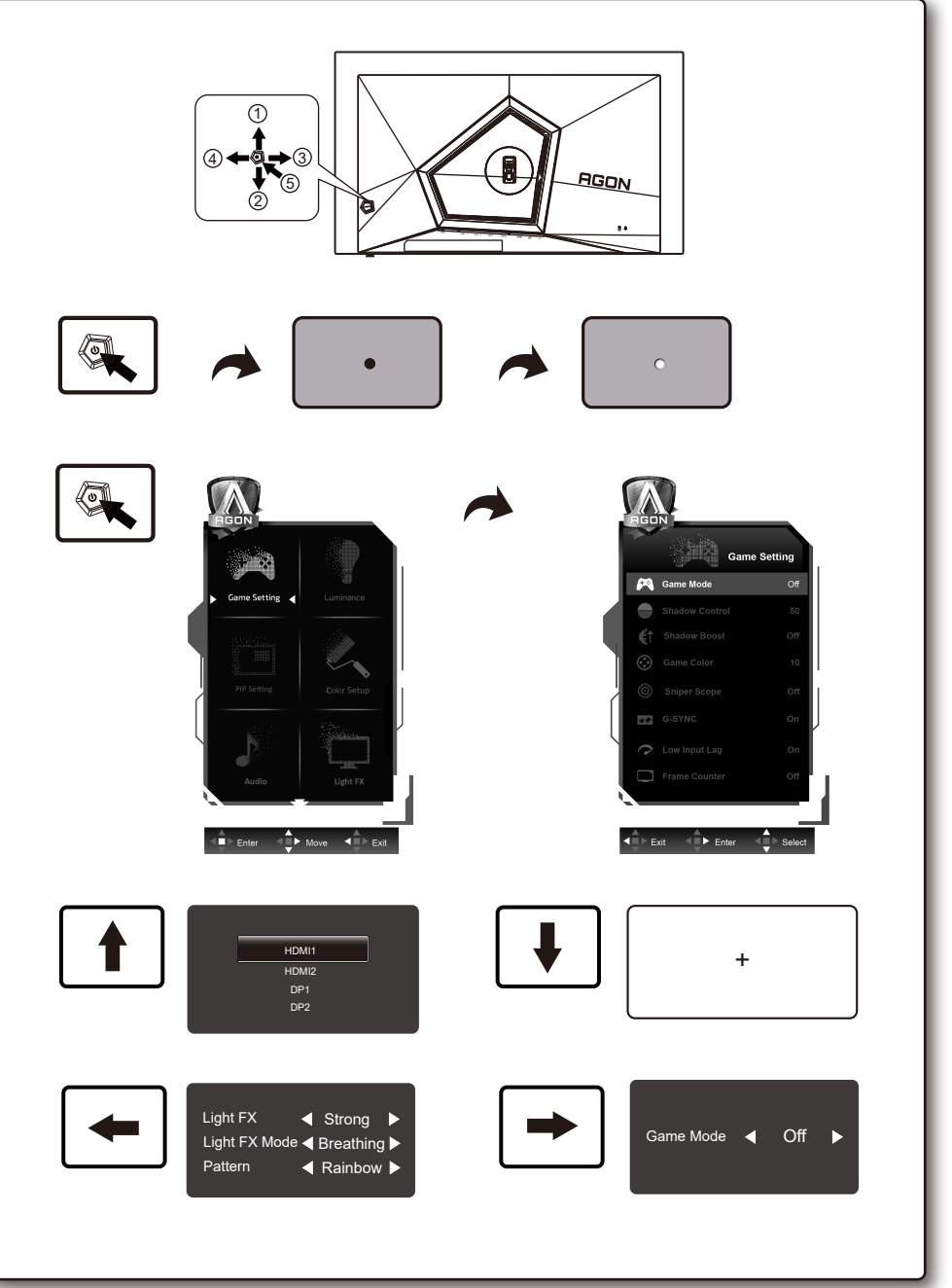
1



2



3



4

General Specification

Panel	Model Name	AG276QZD		
	Driving System	TFT Color LCD		
	Viewable Image Size	67.3cm diagonal(26.5" Wide Screen)		
	Pixel Pitch	0.2292mm(H) x 0.2292mm(V)		
Others	Horizontal Scan Range	30k-230kHz(HDMI)		
	Horizontal Scan Size(Maximum)	586.75mm		
	Vertical Scan Range	48~144Hz (HDMI)		
	Vertical Scan Size(Maximum)	330.05mm		
	Max Resolution	2560x1440@144Hz(HDMI)		
	Plug & Play	VESAs DDC2B/CI		
	Power Source	20V 6.0A		
	Power Consumption	Typical (default brightness and contrast)	51W	
		Max. (brightness = 100, contrast = 100)	≤ 129W	
		Standby mode	≤ 0.5W	
Dimensions(with stand)	604.4×(396.6~526.6)×233.9mm(WxHxD)			
Net Weight	6.41kg			
Physical Characteristics	Connector Type	HDMIx2/DPx2/USBx2/USB Upstream/Earphone		
	Signal Cable Type	Detachable		
Environmental	Temperature	Operating	0°C~40°C	
		Non-Operating	-25°C~55°C	
	Humidity	Operating	10%~85% (non-condensing)	
		Non-Operating	5%~93% (non-condensing)	
Altitude	Operating	0~5000m (0~16404ft.)		
	Non-Operating	0~12192m (0~40000ft.)		