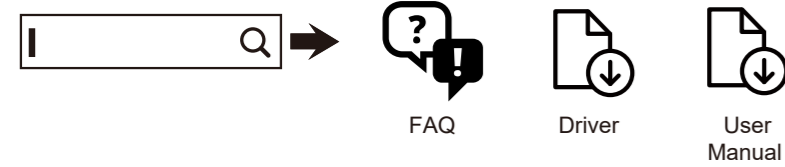


Find your product and get support



| | |
|---|--|
| Europe https://eu.aoc.com/en/support | Россия https://eu.aoc.com/ru/support |
| Australia https://au.aoc.com/user_manual | Hong Kong S.A.R. https://hk.aoc.com/user_manual |
| 中國台灣 https://tw.aoc.com/user_manual | Indonesia https://id.aoc.com/user_manual |
| 日本 https://jp.aoc.com/user_manual | 한국 https://kr.aoc.com/user_manual |
| Malaysia https://my.aoc.com/user_manual | Myanmar https://mm.aoc.com/user_manual |

| | |
|---|---|
| New Zealand https://nz.aoc.com/user_manual | Philippines https://ph.aoc.com/user_manual |
| Singapore https://sg.aoc.com/user_manual | ประเทศไทย https://th.aoc.com/user_manual |
| Việt Nam https://vn.aoc.com/user_manual | Middle East https://me.aoc.com/user_manual |
| South Africa https://za.aoc.com/user_manual | Brasil https://aoc.portaltpv.com.br/ |
| India https://www.aocindia.com/download_manuals.php | US/Canada https://us.aoc.com/en-US/downloads |

Printed in China

XXXXXXXXXXXX

AOC GAMING

Quick Start
C27G2ZE

www.aoc.com
©2022 AOC.All Rights Reserved

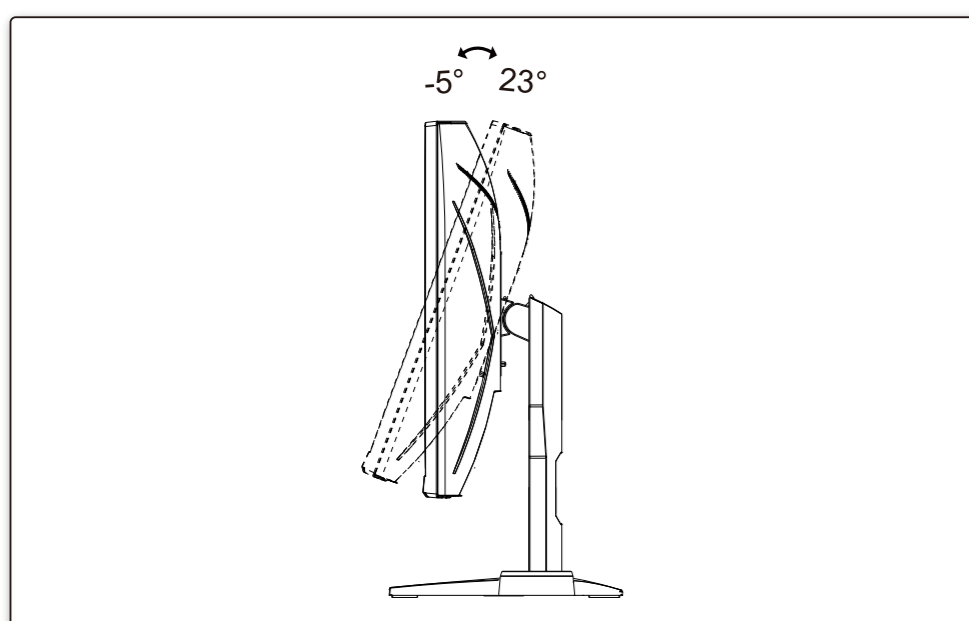
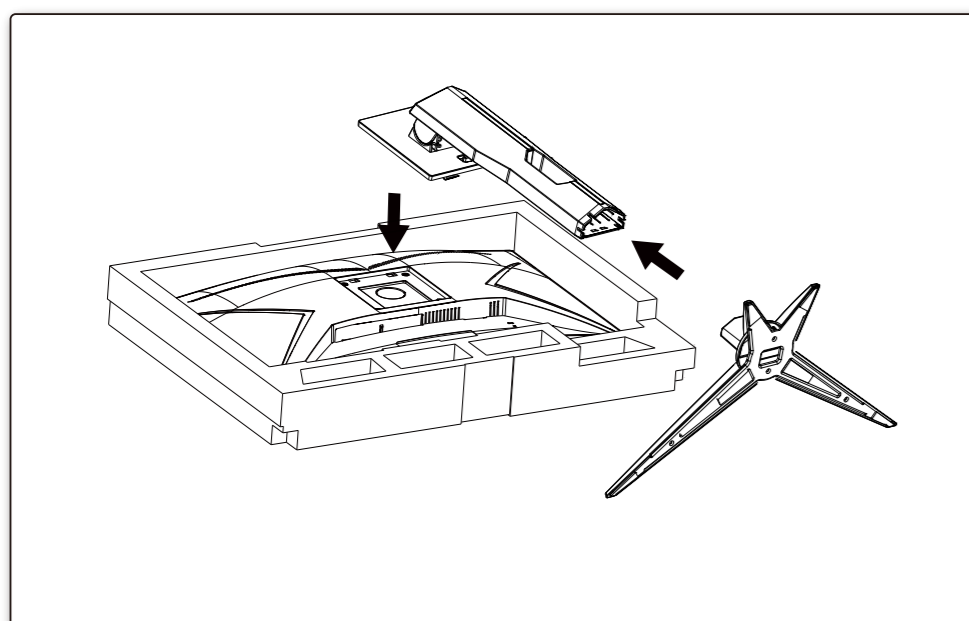
HDMI
HIGH-DEFINITION MULTIMEDIA INTERFACE



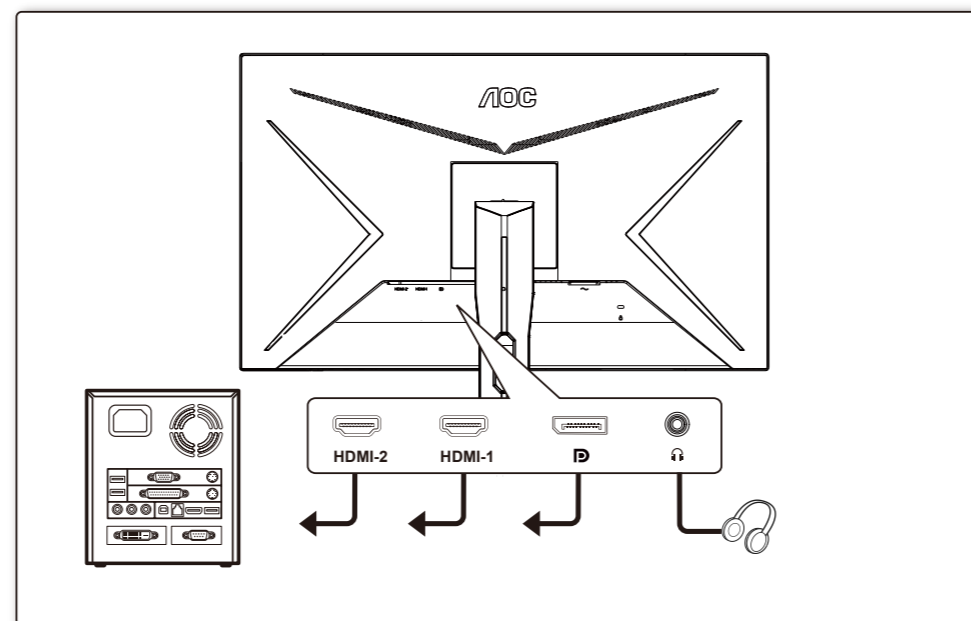
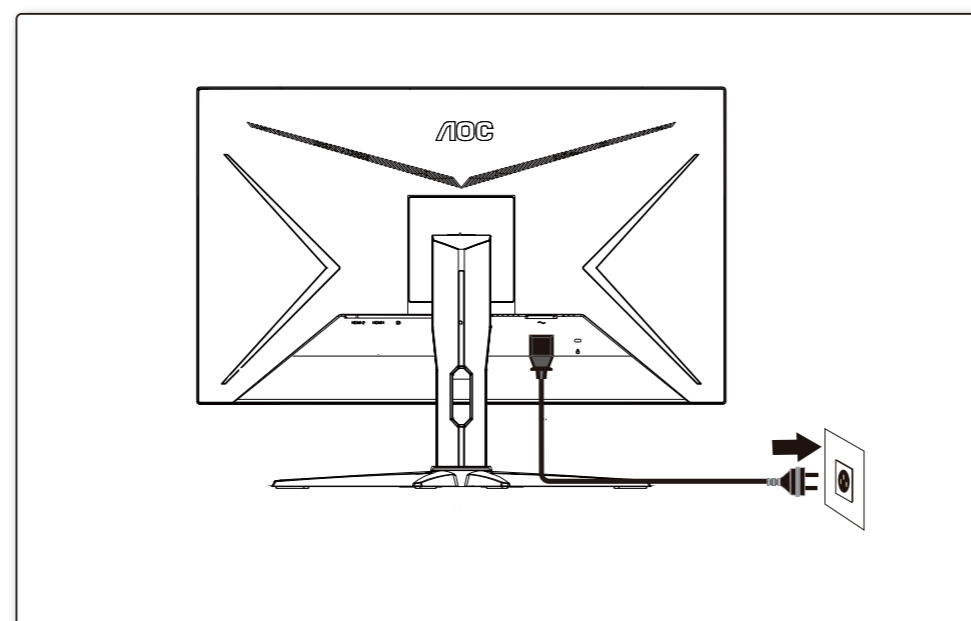
| | | |
|-------------|---------------|-------------|
| | | |
| Monitor | Stand | Base |
| | | |
| Quick Start | Warranty Card | Power Cable |
| | | |
| DP Cable | HDMI Cable | Audio Cable |

*Different according to countries/regions
Display design may differ from that illustrated

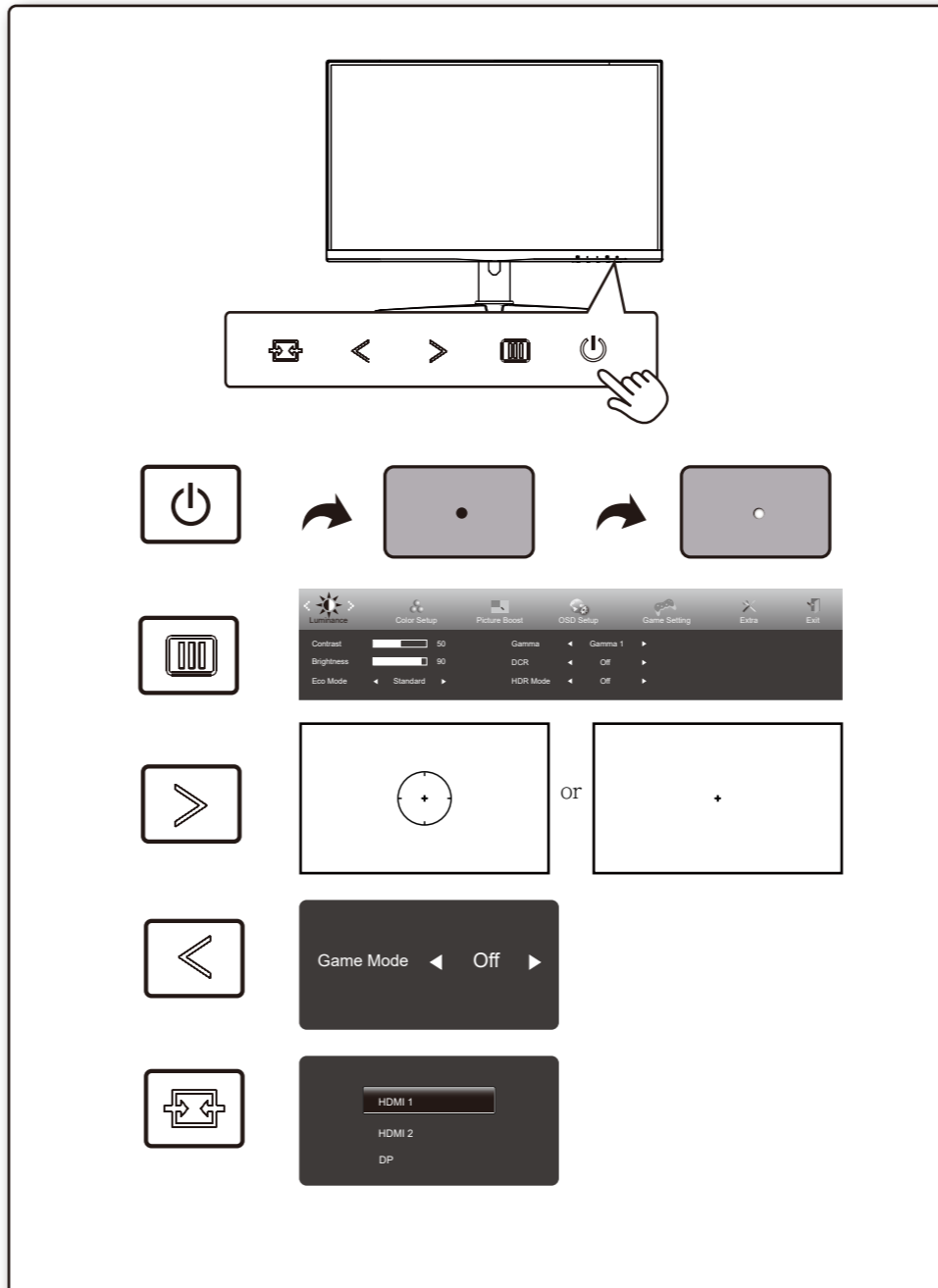
1



2



3



4

General Specification

| | | | | |
|--------------------------|--|-----------------------------------|----------------------------|--|
| Panel | Model name | C27G2ZE | | |
| | Driving system | TFT Color LCD | | |
| | Viewable Image Size | 68.6cm diagonal (27" Wide Screen) | | |
| | Pixel pitch | 0.3114mm(H) x 0.3114mm(V) | | |
| Others | Horizontal scan range | 30k-255kHz | | |
| | Horizontal scan Size(Maximum) | 597.888mm | | |
| | Vertical scan range | 48-240Hz | | |
| | Vertical Scan Size(Maximum) | 336.312mm | | |
| | Max resolution | 1920x1080@240Hz | | |
| | Plug & Play | VESA DDC2B/CI | | |
| | Power Source | 100-240V~, 50/60Hz, 1.5A | | |
| Power Consumption | Typical(default brightness and contrast) | 31W | | |
| | Max. (brightness =100, contrast =100) | ≤ 44W | | |
| | Standby mode | ≤ 0.3W | | |
| Dimensions(with stand) | 612.4x464.6x227.4 mm (WxHxD) | | | |
| Net Weight | 5.04kg | | | |
| Physical Characteristics | Connector Type | HDMI/DP/Earphone out | | |
| | Signal Cable Type | Detachable | | |
| Environmental | Temperature | Operating | 0°C~ 40°C | |
| | | Non-Operating | -25°C~ 55°C | |
| | Humidity | Operating | 10% ~ 85% (non-condensing) | |
| | | Non-Operating | 5% ~ 93% (non-condensing) | |
| | Altitude | Operating | 0~ 5000 m (0~ 16404ft) | |
| | | Non-Operating | 0~ 12192m (0~ 40000ft) | |