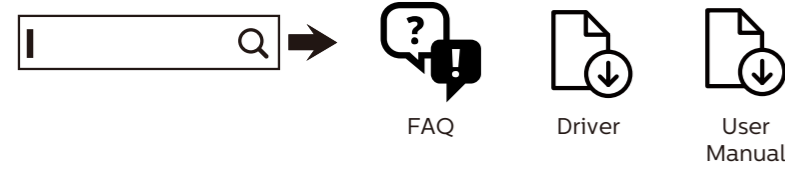


Find your product and get support



Europe
<https://eu.aoc.com/en/support>

Россия
<https://eu.aoc.com/ru/support>

Australia
https://au.aoc.com/user_manual

Hong Kong S.A.R.
https://hk.aoc.com/user_manual

中國台灣
https://tw.aoc.com/user_manual

Indonesia
https://id.aoc.com/user_manual

日本
https://jp.aoc.com/user_manual

한국
https://kr.aoc.com/user_manual

Malaysia
https://my.aoc.com/user_manual

Myanmar
https://mm.aoc.com/user_manual

New Zealand
https://nz.aoc.com/user_manual

Philippines
https://ph.aoc.com/user_manual

Singapore
https://sg.aoc.com/user_manual

ประเทศไทย
https://th.aoc.com/user_manual

Việt Nam
https://vn.aoc.com/user_manual


Middle East
https://me.aoc.com/user_manual


South Africa
https://za.aoc.com/user_manual

Brasil
<https://aoc.portaltv.com.br/>

India
https://www.aocindia.com/download_manuals.php

US/Canada
<https://us.aoc.com/en-US/downloads>

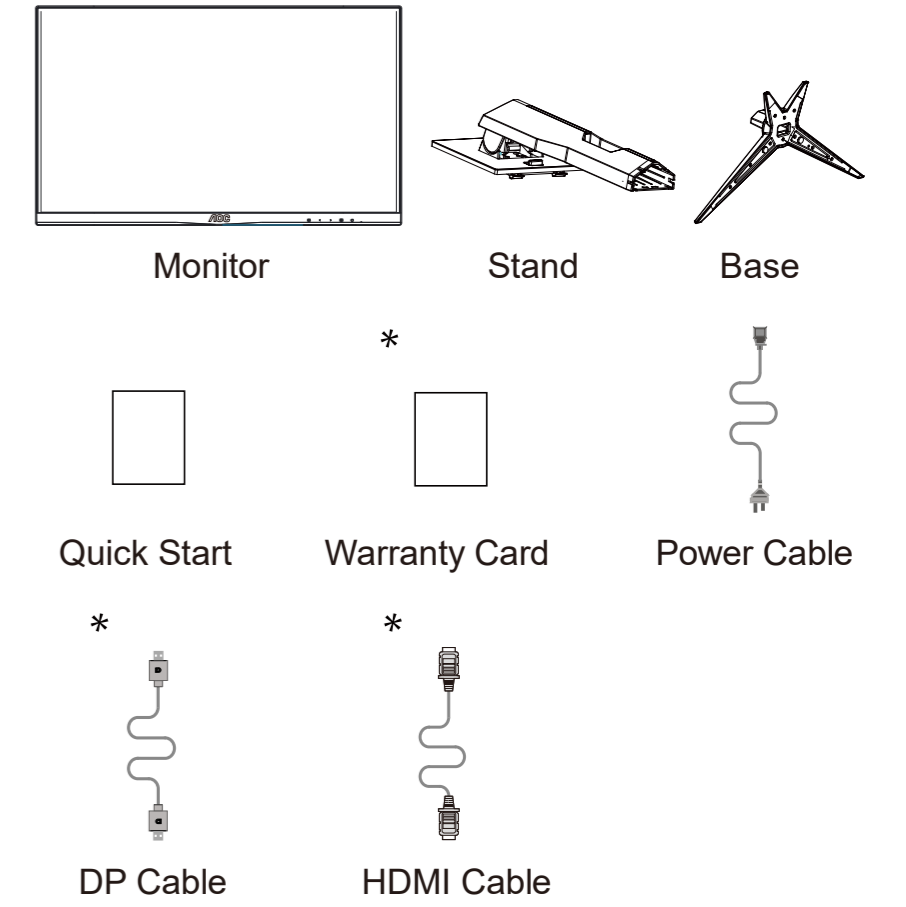



XXXXXXXXXXXX



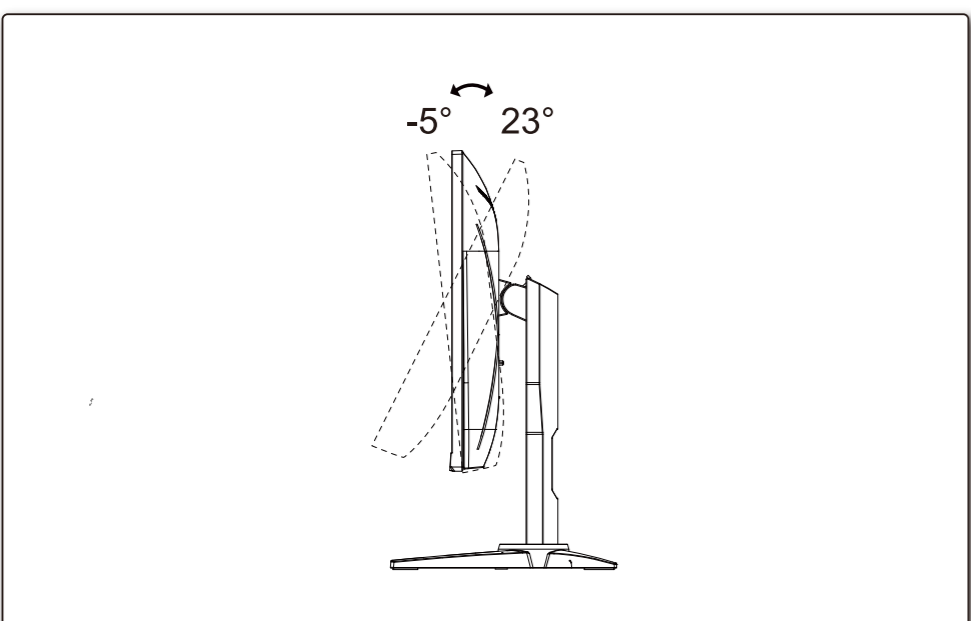
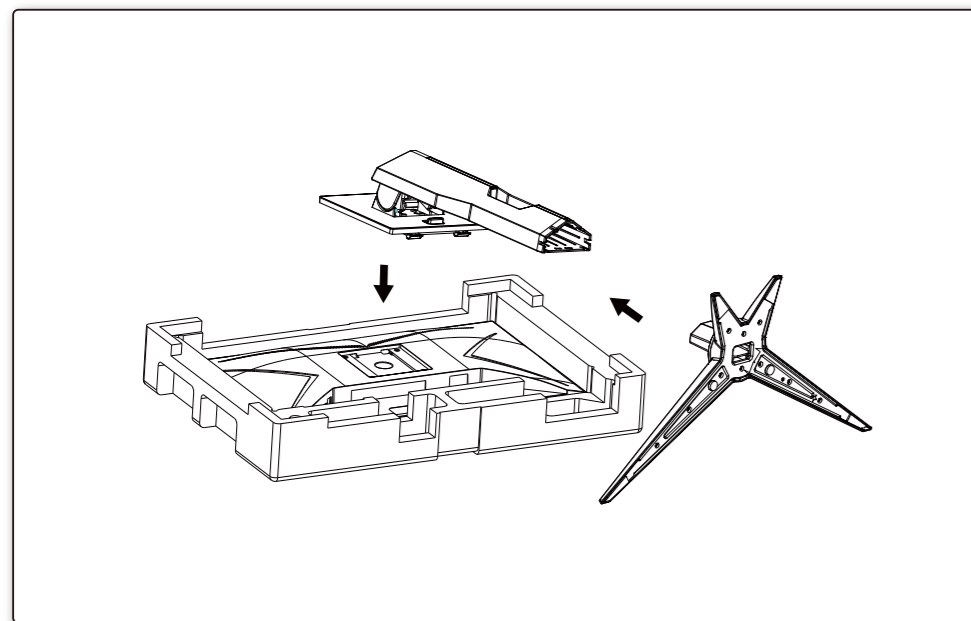
Quick Start
27G2ZNE/BK

www.aoc.com
©2023 AOC.All Rights Reserved

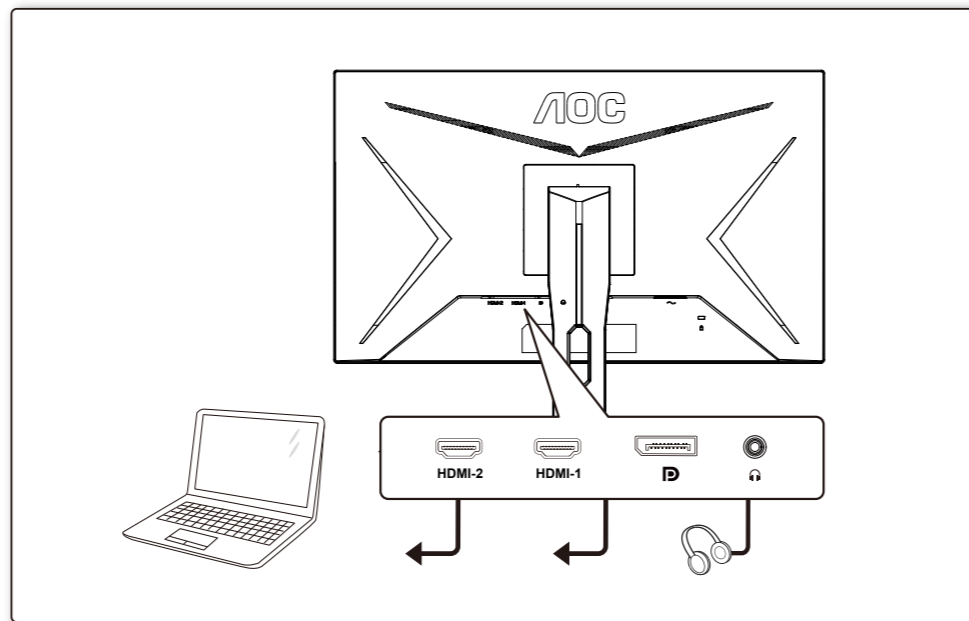
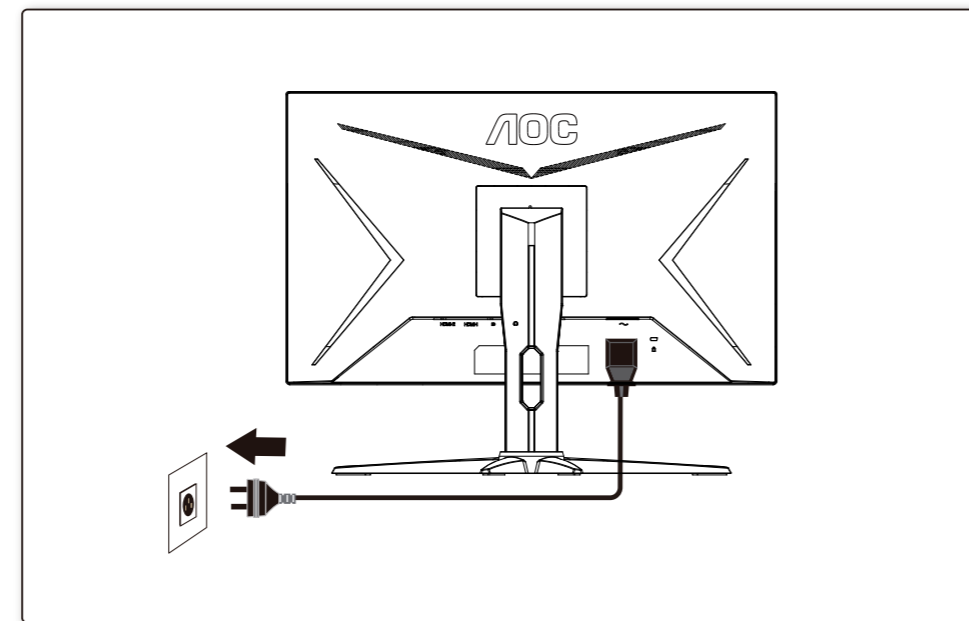


*Different according to countries/regions
Display design may differ from that illustrated

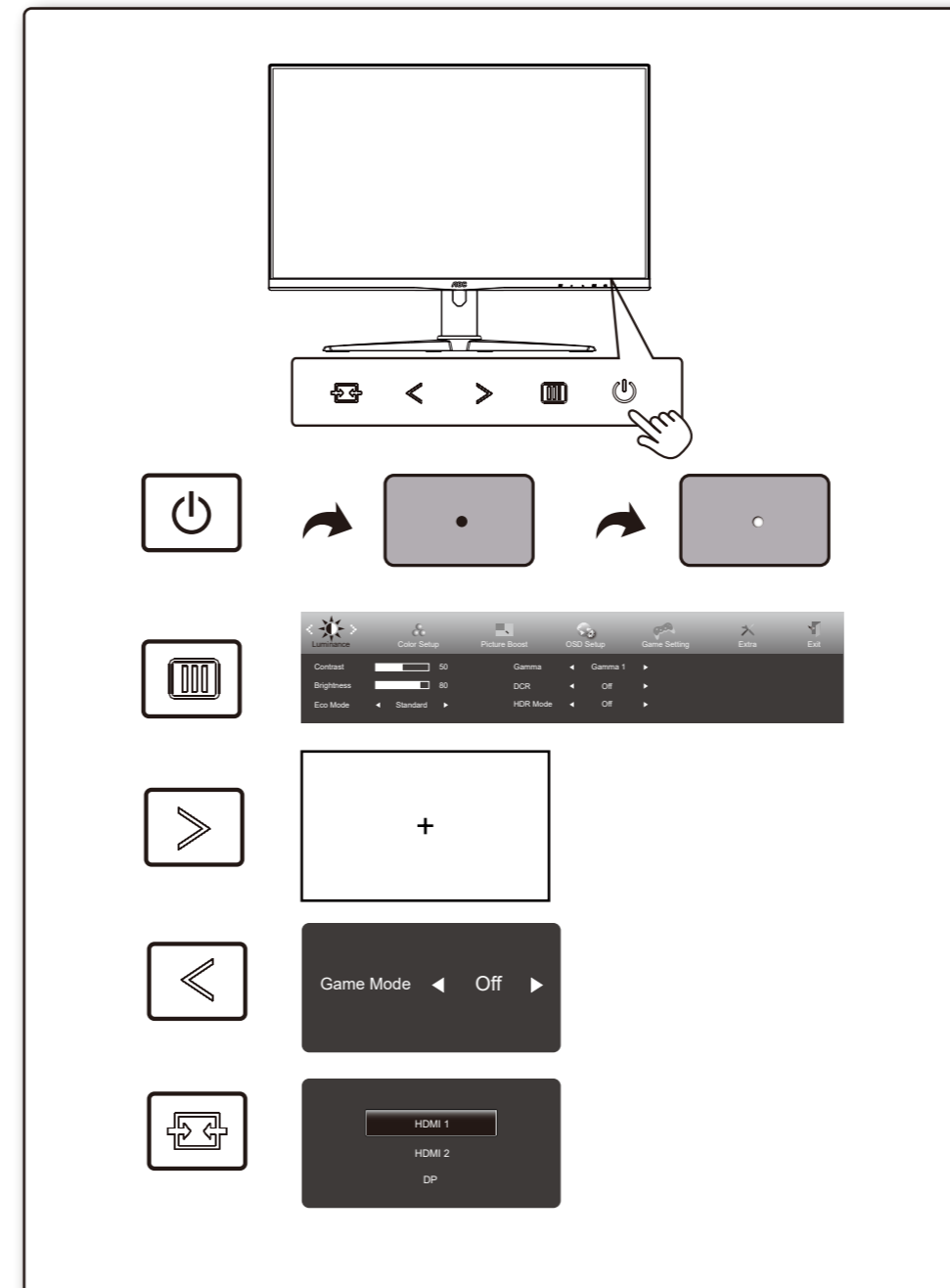
1



2



3



4

General Specification

Panel	Model name	27G2ZNE/BK		
	Driving system	TFT Color LCD		
	Viewable Image Size	68.5cm diagonal (27" Wide Screen)		
	Pixel pitch	0.3108mm(H) x 0.3108mm(V)		
Others	Horizontal scan range	30k-255kHz		
	Horizontal scan Size(Maximum)	596.736mm		
	Vertical scan range	48-240Hz		
	Vertical Scan Size(Maximum)	335.664mm		
	Max resolution	1920x1080@240Hz		
	Plug & Play	VESA DDC2B/CI		
	Power Source	100-240V~ 50/60Hz 1.5A		
	Power Consumption	Typical(default brightness and contrast)	27W	
		Max. (brightness = 100, contrast = 100)	≤ 44W	
		Standby mode	≤ 0.5W	
Dimensions(with stand)	612.5mmx464.6mmx227.4mm(WxHxD)			
Net Weight	4.36kg			
Physical Characteristics	Connector Type	HDMIx2/DP/Earphone		
	Signal Cable Type	Detachable		
Environmental	Temperature	Operating	0°C~40°C	
		Non-Operating	-25°C~55°C	
	Humidity	Operating	10%~85% (non-condensing)	
		Non-Operating	5%~93% (non-condensing)	
	Altitude	Operating	0~5000m (0~16404ft)	
		Non-Operating	0~12192m (0~40000ft)	