

1.0 Reference and Address			
Report Number	191202948SHA-001	Original Issued: 2-Jan-2020	Revised: None
Standard(s)	ENERGY STAR® Program Requirements for Displays Version 8.0		
Applicant	Top Victory Electronics (Taiwan) Co.,Ltd.	Manufacturer	TPV Electronics(Fujian) Co., Ltd
Address	10F.,No.230,Liancheng Rd. Zhonghe City. Taipei Country 23553	Address	Rongqiao Economic and Technological Development Zone, Fuqing City, Fujian Province
Country	Taiwan	Country	P.R.China
Contact	David.Cheng	Contact	Winter.Feng
Phone	+886-2-82261668-2375	Phone	+86-591-85285555
FAX	+886-2-82261668-2375	FAX	+86-591-85285447
Email	David.cheng@tpv-tech.com	Email	winter.feng@tpv-tech.com
Manufacturer 2	TPV Display Technology (Beihai) Co.,Ltd	Manufacturer 3	TPV Display Technology (China) Co., Ltd.
Address	China Electronic Beihai Industry Park,Northeast of the Crossing between Taiwan Road and Jilin Road Beihai City,Guangxi	Address	No.106 Jinghai 3 Rd., BDA, Beijing City
Country	China	Country	China
Contact	Yin Tao	Contact	Nancy.Shang
Phone	18277949678	Phone	86(10)64326699-8312
FAX	86-779-2232270	FAX	NA
Email	yin.tao@tpv-tech.com	Email	lijia.shang@tpv-tech.com
Manufacturer 4	L&T Display Technology (Fujian) Ltd.	Manufacturer 5	TPV Display Technology(Wuhan)Co.,Ltd
Address	Optoelectronic Park, Rongqiao Economic and Technological Development Zone,Fuqing City,Fujian	Address	Unique No.11 Zhuankou Development District of Economic Technological Development Zone Wuhan
Country	China	Country	China
Contact	Shan Xu	Contact	Zhe.Zhou
Phone	86(591)8651-5556	Phone	86(27)-6884 3822
FAX	86(591)8651-5556	FAX	86(27)-6884 3822
Email	shan.xu@Intdisplayfj.com	Email	zhe.zhou@tpv-tech.com

2.0 Product Description					
Product	Display (LCD Monitor)				
Brand Name	AOC				
Description	The product covered by this report is a Display (LCD Monitor)				
Models	22E1 (22E1);22E1H(22E1);22E1Q(22E1);22E1D(22E1);22P1 (22P1);22P1D(22P1);22P1E(22P1);22P1E/NB(22P1)				
Model Similarity	Model Name: 22E1;22E1H;22E1Q;22E1D;22P1;22P1D;22P1E;22P1E/NB Model Number: 22E1;22P1 22E1 : Non-pivot type 22P1 : Pivot type				
Ratings	100-240Vac,50/60Hz,1.5A				
Other Ratings	NA				
Date Available	05/27/2018	Market Availability	Yes	OEM	TPV Electronics(Fujian) Co. Ltd
Major Markets	Canada,Japan,Taiwan,United States				
Trans Type	Initial Certification: Model Meets ENERGY STAR Requirements				
Notes	NA				
Additional Model Details (Optional)	Model Name and Number	Identifying Information			
Original Certificate Actual Issued Date for Model Tested (Only Applies to Revised Reports)					NA

3.0 Product Photographs

Photo 1 - 22E1 External view (Front)



1

Photo 2 - 22E1 External view (Back)



3.0 Product Photographs

Photo 3 - 22P1 External view (Front)



Photo 4 - 22P1 External view (Back)



3.0 Product Photographs

Photo 5 - Main board (TPV / 715G9496)

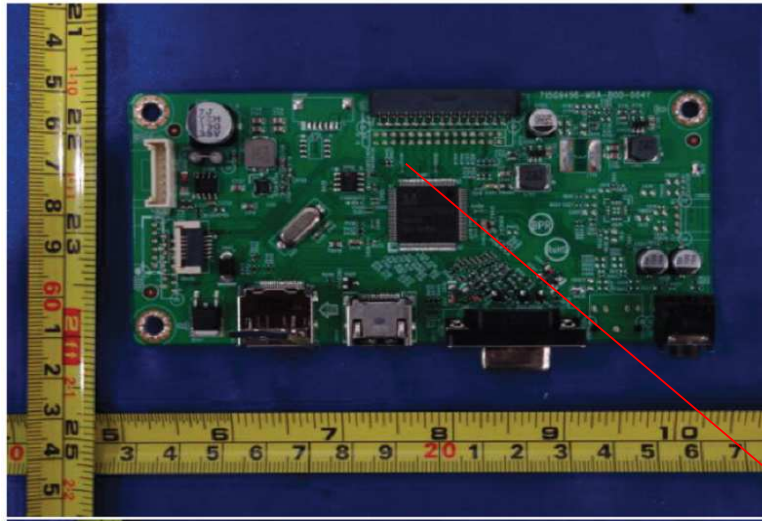
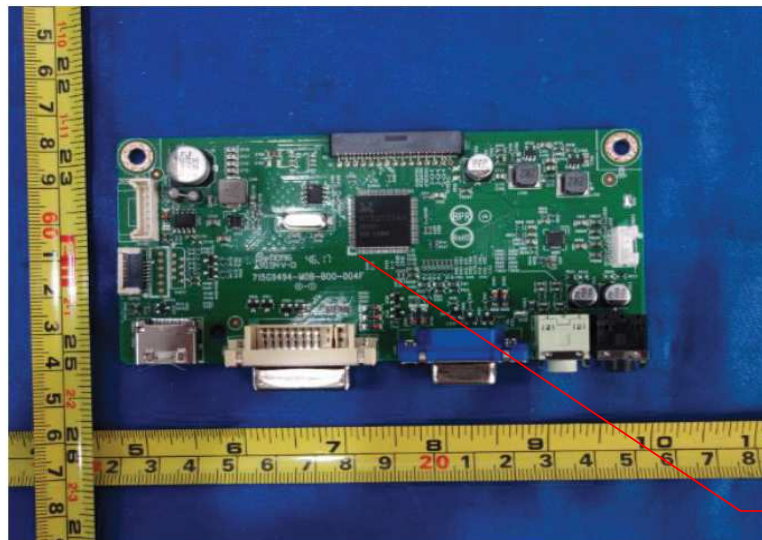
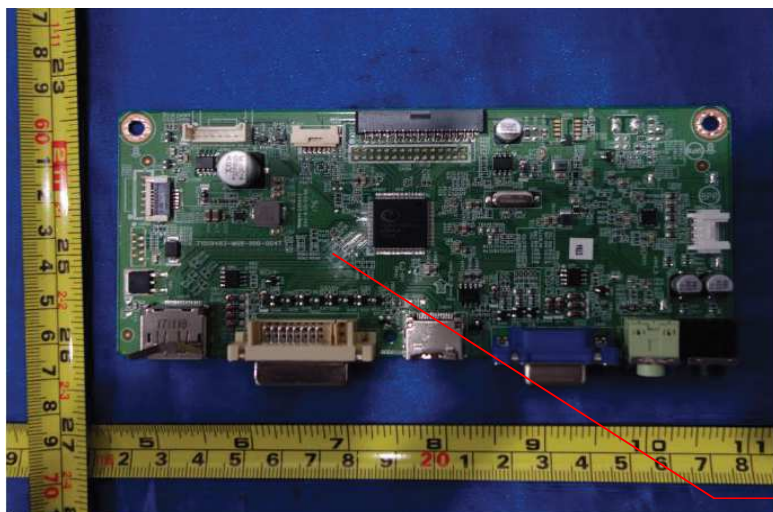


Photo 6 - Main board (TPV / 715G9494)



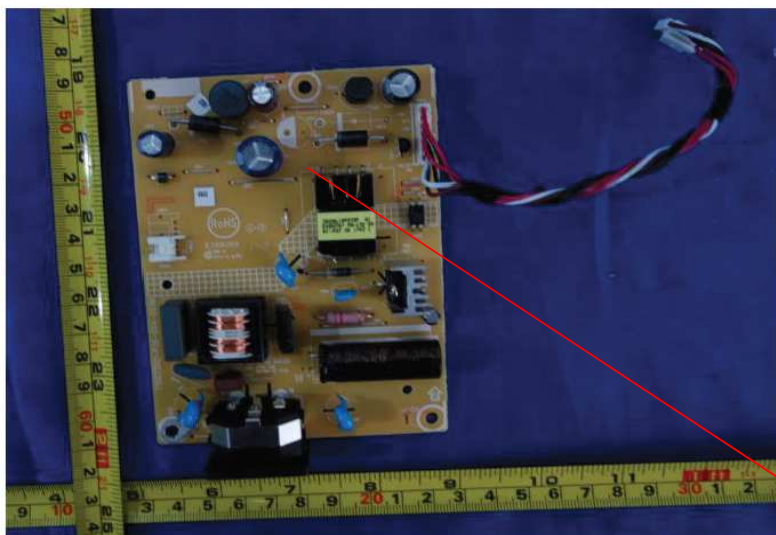
3.0 Product Photographs

Photo 7 - Main board (TPV / 715G9483)



4

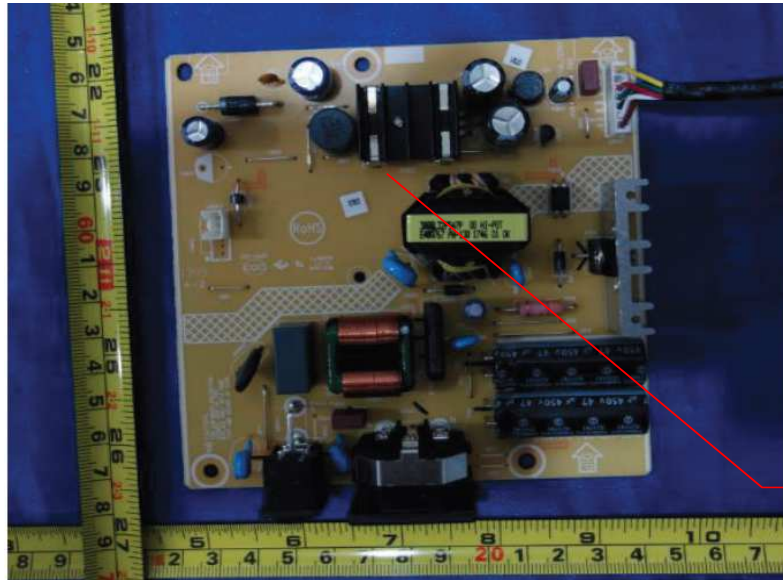
Photo 8 - Power board (TPV / 715G7300)



5

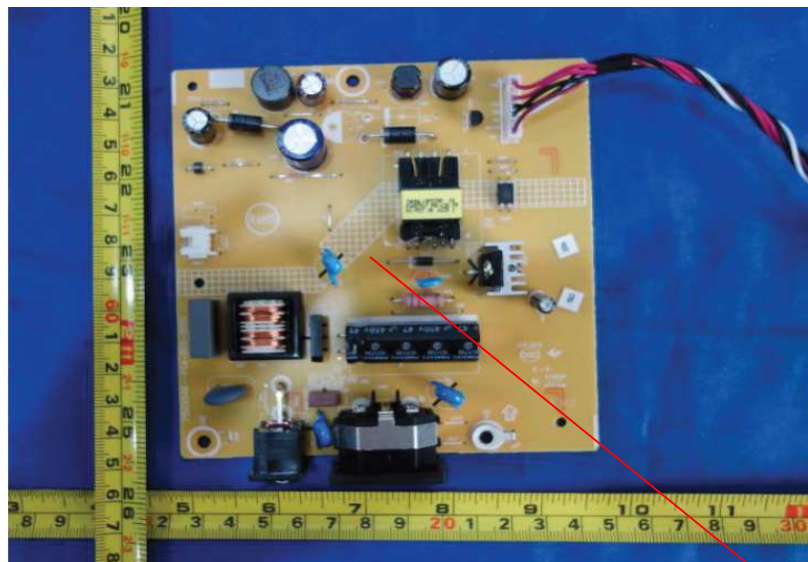
3.0 Product Photographs

Photo 9 - Power board (TPV / 715G7610)



6

Photo 10 - Power board (TPV / 715G9546)



7

4.0 Critical Components						
Photo #	Item no. ¹	Name	Manufacturer/ trademark ²	Type / model ²	Technical data and securement means	Mark(s) of conformity ³
1	1	LCD panel	TPV	TPM215WF1	21.5inch, TFT type, with LED backlight	NR
				TPM215HW01	TPM215HW01 is tested as a representation.	NR
5	2	Main Board	TPV	715G9496	I/P: AC100-240V, 50/60Hz, 1.5A; O/P: max.19V, 2.5A 715G9494 is tested as a representation.	NR
6	3			715G9494		NR
7	4			715G9483		NR
8	5	Power Board	TPV	715G7300	I/P: 100-240Vac, 50/60Hz, 1.5A; O/P: max.16Vdc, 3.5A; max.5Vdc 3.5A 715G9546 is tested as a representation.	NR
9	6			715G7610		NR
10	7			715G9546		NR
NOTES:						
1) Not all item numbers are indicated (called out) in the photos, as their location is obvious.						
2) "Various" means any type, from any manufacturer that complies with the "Technical data and securement means" and meets the "Mark(s) of conformity" can be used.						
3) Indicates specific marks to be verified, which assures the agreed level of surveillance for the component. "NR" - indicates: a) Unlisted and only visual examination is necessary or b) marks are not required to be verified.						

5.0 Critical Unlisted CEC Components

Periodic Evaluation of Critical Unlisted Components by the Intertek Component Evaluation Centers (CEC) is not required under the INTERTEK ENERGY STAR Program.

6.0 Critical Features

Critical Features/Components - An essential part, material, subassembly, system, software, or accessory of a product that has a direct bearing on the product's conformance to applicable requirements of the ENERGY STAR® Program Requirements.

Listed Component - A component part, which has been previously Listed or Certified by an accredited Certification Organization with no restrictions and is used in the intended application within its ratings.

Recognized Component - A component part, which has been previously evaluated by an accredited certification body with restrictions and must be evaluated as part of the basic product considering the restrictions as specified by the Conditions of Acceptability.

Unlisted Component - A part that has not been previously evaluated to the appropriate designated component standard. It may also be a Listed or Recognized component that is being used outside of its evaluated Listing or component recognition.

Construction Details - For specific construction details, reference should be made to the photographs and descriptions. All dimensions are approximate unless specified as exact or within a tolerance. In addition to the specific construction details described in this Report, the following general requirements also apply.

1. Product Safety Compliance - NA

2. EMI Compliance - NA

3. Schematics - NA

4. Installation, Operating and Safety Instructions - Instructions for installation and use of this product are provided by the manufacturer. Refer to Illustration No.1-2 for details.

5. Package Markings - NA

6. Warranty Information - NA

7. Marking Label - Refer to Illustration No.3.for details.

7.0 Illustrations

Illustration 1 - Installation, Operating and Safety Instructions

Safety

National Conventions

The following subsections describe notational conventions used in this document.

Notes, Cautions, and Warnings

Throughout this guide, blocks of text may be accompanied by an icon and printed in bold type or in italic type. These blocks are notes, cautions, and warnings, and they are used as follows:



NOTE: A NOTE indicates important information that helps you make better use of your computer system.



CAUTION: A CAUTION indicates either potential damage to hardware or loss of data and tells you how to avoid the problem.



WARNING: A WARNING indicates the potential for bodily harm and tells you how to avoid the problem. Some warnings may appear in alternate formats and may be unaccompanied by an icon. In such cases, the specific presentation of the warning is mandated by regulatory authority.

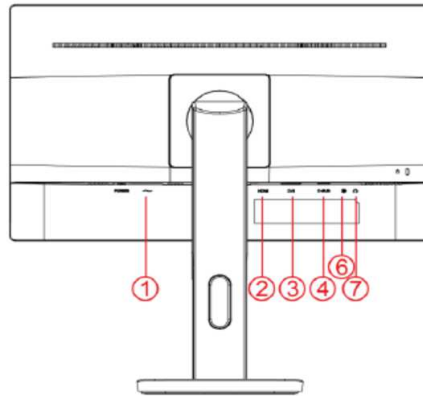
7.0 Illustrations

Illustration 2 - Installation, Operating and Safety Instructions (Continued)

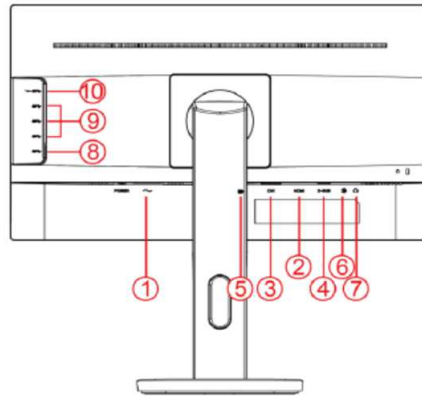
Connecting the Monitor

Cable Connections In Back of Monitor and Computer:

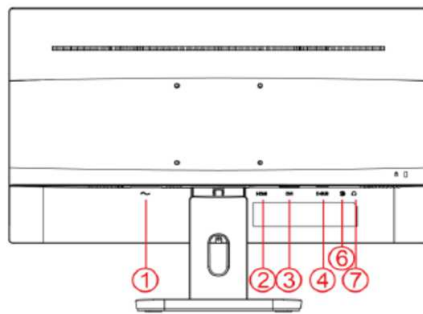
22P1D



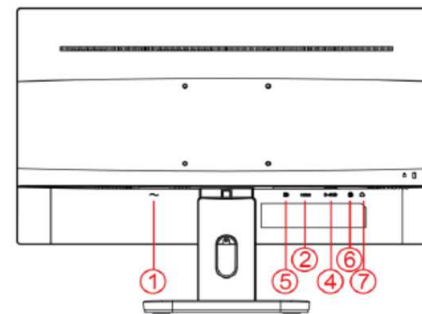
22P1



22E1D



22E1Q



- 1 Power
- 2 HDMI
- 3 DVI
- 4 Analog (D-Sub 15-Pin VGA cable)
- 5 DP
- 6 Audio in
- 7 Earphone out
- 8 USB upstream
- 9 USB downstream
- 10 USB charging

7.0 Illustrations

Illustration 3 -Marking Label

AOC LCD monitor (LED Backlight) / ЖК-монитор

Warning: Shock Hazard, Do Not Open.
Pour éviter une électrocution, ne retirez pas le couvercle!
www.aoc.com

AOC International Europe B.V.
Amstelgebouw, 6th floor
Prins Bernhardplein 200
1097 JB Amsterdam
The Netherlands
Envision Peripherals, Inc.
47490 Seabridge Drive
Fremont, CA 94538
USA

Product No.: 22E1
Model No./модель номер: 22E1

Power Rating/ Tegangan/Входная мощность:100V-240V~ 50/60Hz 1.5A

CAN ICES-3(B)/NMB-3(B)
Laitte on lähtöjohdon suojauskoostinnalla varustettuun pistorasiaan
Apparatet må tilkoples jordat sikkeskontakt
Apparaten skall anslutas till jordat uttag
Apparatsletts släpprop skall lösas eller slås kontakt med jord,
sann givert förbindelse till släppropens jord
The equipment must be connected to an earthed mains socket-outlet.
L'appareil doit être branché sur une prise de courant
marquée d'une mise à la terre. Q40G022N-615-A56

HXXXXXXXXXXXX
Serial NO.:XXXXXXXXXXXXXXXXXXXX



AOC LCD monitor (LED Backlight) / ЖК-монитор

Warning: Shock Hazard, Do Not Open.
Pour éviter une électrocution, ne retirez pas le couvercle!
www.aoc.com

AOC International Europe B.V.
Amstelgebouw, 6th floor
Prins Bernhardplein 200
1097 JB Amsterdam
The Netherlands
Envision Peripherals, Inc.
47490 Seabridge Drive
Fremont, CA 94538
USA

Product No.: 22E1D
Model No./модель номер: 22E1D

Power Rating/ Tegangan/Входная мощность:100V-240V~ 50/60Hz 1.5A

CAN ICES-3(B)/NMB-3(B)
Laitte on lähtöjohdon suojauskoostinnalla varustettuun pistorasiaan
Apparatet må tilkoples jordat sikkeskontakt
Apparaten skall anslutas till jordat uttag
Apparatsletts släpprop skall lösas eller slås kontakt med jord,
sann givert förbindelse till släppropens jord
The equipment must be connected to an earthed mains socket-outlet.
L'appareil doit être branché sur une prise de courant
marquée d'une mise à la terre. Q40G022N-615-A56

HXXXXXXXXXXXX
Serial NO.:XXXXXXXXXXXXXXXXXXXX



AOC LCD monitor (LED Backlight) / ЖК-монитор

Warning: Shock Hazard, Do Not Open.
Pour éviter une électrocution, ne retirez pas le couvercle!
www.aoc.com

AOC International Europe B.V.
Amstelgebouw, 6th floor
Prins Bernhardplein 200
1097 JB Amsterdam
The Netherlands
Envision Peripherals, Inc.
47490 Seabridge Drive
Fremont, CA 94538
USA

Product No.: 22E1H
Model No./модель номер: 22E1

Power Rating/ Tegangan/Входная мощность:100V-240V~ 50/60Hz 1.5A

CAN ICES-3(B)/NMB-3(B)
Laitte on lähtöjohdon suojauskoostinnalla varustettuun pistorasiaan
Apparatet må tilkoples jordat sikkeskontakt
Apparaten skall anslutas till jordat uttag
Apparatsletts släpprop skall lösas eller slås kontakt med jord,
sann givert förbindelse till släppropens jord
The equipment must be connected to an earthed mains socket-outlet.
L'appareil doit être branché sur une prise de courant
marquée d'une mise à la terre. Q40G022N-615-A56

HXXXXXXXXXXXX
Serial NO.:XXXXXXXXXXXXXXXXXXXX



AOC LCD monitor (LED Backlight) / ЖК-монитор

Warning: Shock Hazard, Do Not Open.
Pour éviter une électrocution, ne retirez pas le couvercle!
www.aoc.com

AOC International Europe B.V.
Amstelgebouw, 6th floor
Prins Bernhardplein 200
1097 JB Amsterdam
The Netherlands
Envision Peripherals, Inc.
47490 Seabridge Drive
Fremont, CA 94538
USA

Product No.: 22E1Q
Model No./модель номер: 22E1

Power Rating/ Tegangan/Входная мощность:100V-240V~ 50/60Hz 1.5A



CAN ICES-3(B)/NMB-3(B)
Laitte on lähtöjohdon suojauskoostinnalla varustettuun pistorasiaan
Apparatet må tilkoples jordat sikkeskontakt
Apparaten skall anslutas till jordat uttag
Apparatsletts släpprop skall lösas eller slås kontakt med jord,
sann givert förbindelse till släppropens jord
The equipment must be connected to an earthed mains socket-outlet.
L'appareil doit être branché sur une prise de courant
marquée d'une mise à la terre. Q40G022N-615-A56

HXXXXXXXXXXXX
Serial NO.:XXXXXXXXXXXXXXXXXXXX



8.0 Test Summary			
Evaluation Period	1/2/2020-1/2/2020		Project No. 191202948SHA
Sample Rec. Date	20-Dec-2019	Condition Prototype	Sample ID. 0191220-98-099
Test Location	Intertek Testing Services Shanghai Limited EPA ID(1105997) Building No.86, 1198 Qinzhou Road (North), Shanghai 200233, China		
Test Procedure	Testing Lab	Test type	Qualification
Determination of the result includes consideration of measurement uncertainty from the test equipment and methods. The product was tested as indicated below with results in conformance to the relevant test criteria.			
The following requirements were evaluated:			
Required Submittal Information			Submittal Data
Model Name and/or Number tested			22E1D(22E1)
Date tested			01/02/2020
Serial number of Unit tested			1 sample
ENERGY STAR Specification Version*			8.0
Product Type*			Monitor
Tiled Display System			
Maximum Tiled Configuration			
Panel Type*			Other
Other Panel Type			TFT LCD
Diagonal Screen Size in*			21.5
Screen Area sq in*			198.08
Display Contrast Ratio*			1000
Native Vertical Resolution lines*			1920
Native Horizontal Resolution lines*			1080
Total Native Resolution megapixels*			2.1
Native Pixel Density Dp pixels_sq in*			10469
As Tested Screen Refresh Rate Hz*			60
Maximum Screen Refresh Rate Hz*			75
Enhanced Performance Criteria*			No
Color Gamut			
Reported Contrast Ratio at 85 deg Left Horiz Viewing Angle			
Reported Contrast Ratio at 85 deg Right Horiz Viewing Angle			
High Dynamic Range HDR*			N/A
Other Available Interfaces			
Other Features			
Signal Interface*			HDMI 1.4
Other Interface			
USB C with Power Delivery Supported*			No
Maximum Power Delivery W			
Other Power Source			
Does Model Have a Forced Menu at Initial Start up*			No
Maximum Measured Luminance cd m 2*			273
Maximum Reported Luminance cd m 2*			250
As shipped Luminance cd m 2			191
As tested Luminance cd m 2*			200
On Mode Power at 12 Lux at 115 Volts W			
On Mode Power at 300 Lux at 115 Volts W			
Measured On Mode Power at 115 Volts W			13.12
Reported On Mode Power at 115 Volts W			13.12
Maximum On Mode Power Limit for Signage Certification W			
Measured Sleep Mode Power at 115 Volts W			0.29
Reported Sleep Mode Power at 115 Volts W			0.29
Measured Disconnected Sleep Mode Power at 115 Volts W			
Maximum Sleep Mode Power Limit for Signage Certification W			
Number of Sleep Modes in Addition to Default Sleep Mode*			0
Other Mechanism for Automatically Entering Sleep or Off Mode			
Default Delay Time to Sleep min			5
Measured Off Mode Power at 115 Volts W			0.13
Reported Off Mode Power at 115 Volts W			0.13
Measured Total Energy Consumption at 115 Volts kWh			41.88

8.0 Test Summary	
Reported Total Energy Consumption at 115 Volts kWh	41.88
Max Total Energy Consumption Limit for Monitor kWh	42.66
On Mode Power at 12 Lux at 230 Volts W	
On Mode Power at 300 Lux at 230 Volts W	
Measured On Mode Power at 230 Volts W	13.07
Measured Sleep Mode Power at 230 Volts W	0.29
Measured Disconnected Sleep Mode Power at 230 Volts W	
Measured Off Mode Power at 230 Volts W	0.24
Measured Total Energy Consumption at 230 Volts kWh	41.72
True Power Factor PF During On Mode Testing at 115 Volts W	0.52
True Power Factor PF During On Mode Testing at 230 Volts W	0.41
Color Spaces Supported*	sRGB
Available Signal or Data Interfaces*	DVI,VGA,HDMI
Model Features*	Built-In Speakers
Features Enabled in Default On Mode*	Built-In Speakers
Features Enabled in Default Sleep Mode*	None
Wireless Technologies Supported*	None
Ethernet Supported*	None
Power Source*	Ac to dc internal power supply
Mechanism for Automatically Entering Sleep or Off Mode*	Display Power Management Signaling
On Mode Power at 12 Lux at 100 Volts 50Hz W	
On Mode Power at 300 Lux at 100 Volts 50Hz W	
Measured On Mode Power at 100 Volts 50Hz W	13.26
Measured Sleep Mode Power at 100 Volts 50Hz W	0.29
Measured Disconnected Sleep Mode Power at 100 Volts 50Hz W	
Measured Off Mode Power at 100 Volts 50Hz W	0.23
Measured Total Energy Consumption at 100 Volts 50Hz kWh	42.31
On Mode Power at 12 Lux at 100 Volts 60Hz W	
On Mode Power at 300 Lux at 100 Volts 60Hz W	
Measured On Mode Power at 100 Volts 60Hz W	13.23
Measured Sleep Mode Power at 100 Volts 60Hz W	0.29
Measured Disconnected Sleep Mode Power at 100 Volts 60Hz W	
Measured Off Mode Power at 100 Volts 60Hz W	0.23
Measured Total Energy Consumption at 100 Volts 60Hz kWh	42.21

8.1 Signatures			
A representative sample of the product covered by this report has been evaluated and found to comply with the applicable requirements of the standards indicated in Section 1.0.			
Completed by:	Eli Shui	Reviewed by:	Carl Dong
Title:	Engineer	Title:	Engineer
Signature:		Signature:	

9.0 Correlation Page For Multiple Listings			
The following products, which are identical to those identified in this report except for model number and Company name.			
BASIC LISTEE	Top Victory Electronics (Taiwan) Co., Ltd.		
Address	10F.,No.230,Liancheng Rd. Zhonghe City. Taipei Country 23553		
Country	Taiwan	EPA ID	1065104
Product	Display (LCD Monitor)		
Contact	David.Cheng		
Phone	+886-2-82261668-2375		
FAX	+886-2-82261668-2375		
Email	David.cheng@tpv-tech.com		

MULTIPLE LISTEE 1	None		
Address			
Country		EPA ID	
Contact			
Phone			
FAX			
Email			
Brand Name			
Date Available		Market Availability	OEM
Major Markets			
Trans Type			
Notes			
ASSOCIATED MANUFACTURER			
Address			
Country			
MULTIPLE LISTEE 1 MODELS		BASIC LISTEE MODELS	
Additional Model Details (Optional)	Model Name and Number	Identifying Information	

MULTIPLE LISTEE 2	None		
Address			
Country		EPA ID	
Contact			
Phone			
FAX			
Email			
Brand Name			
Date Available		Market Availability	OEM
Major Markets			
Trans Type			
Notes			
ASSOCIATED MANUFACTURER			
Address			
Country			
MULTIPLE LISTEE 2 MODELS		BASIC LISTEE MODELS	
Additional Model Details (Optional)	Model Name and Number	Identifying Information	

10.0 General Information

The Applicant has agreed to produce products in accordance with the requirements of this report and to maintain compliance with all ENERGY STAR Product Specification requirements.

Changes to Product Design / Alternate Components

As part of this agreement, the Applicant also has agreed to notify Intertek and to request authorization prior to making any changes to the product (including but not limited to using alternate parts, components or materials) which may effect compliance with the ENERGY STAR Product Specification. Those parts, components or materials identified as critical have been listed in Section 4.0 of this report.

Product Surveillance

Under this Program, market surveillance is conducted on an annual basis. For each Product Type defined in the EPA ENERGY STAR Program, Intertek will select 10% of those certified products for Verification Testing in accordance with the requirements of the EPA ENERGY STAR Product Specification.

The primary source for products under Verification Testing will be the retail market. Applicants whose products are selected for Verification Testing are required to provide a list of locations where the product might be obtained. The Applicant is responsible for the cost of procurement and the Verification Tests. Should products not be readily available on the retail market, the Applicant is required to provide access to distribution warehouses to allow selection of those products. Should the product not be available on the retail market or if procurement from the retail market is not feasible, then alternate arrangements for Verification Testing will be made by the Intertek Certification Body.

As a general rule under the Verification Testing requirements, the products must achieve energy values within 5% of the required Tier Limit.

Compliance with ENERGY STAR Product Specifications under Verification Testing

Products found non-compliant with ENERGY STAR Product Specification under Verification Testing, will be reported to the EPA within 48 hours and the product removed from the ENERGY STAR Program. If it is determined during Verification Testing that changes have been made to product design or critical components, the Certification Body may increase Verification Testing frequency of those products.

10.1 Evaluation of Unlisted Components

Because Unlisted Components are uncontrolled, and they do not fall under a third party follow up program, Intertek may require these components to be tested and/or evaluated at least once annually, more often for certain components, as part of the independent certification process. The Unlisted Components in Section 5.0 require testing and/or evaluation as indicated.

Note to Intertek Follow Up Inspector: The Component Evaluation Center, CEC, will notify you in writing when these components must be selected and sent to the CEC for re-evaluation

Ship the samples to:
Intertek Testing Services Shanghai Limited
ETL Component Evaluation Center
Building No. 86, 1198 Qinzhou Road (North)
Shanghai 200233, China
Attn: Ms. Angela Han

Sample Disposition: Due to the destructive nature of the testing, all samples will be discarded at the conclusion of testing unless, the manufacturer specifically requests the return of the samples. The request for return must accompany the initial component shipment.

11.0 Manufacturing and Production Tests

Manufacturing and Production tests are not required under the INTERTEK ENERGY STAR Program. However, Intertek encourages the use of such ongoing product testing to ensure compliance with the EPA ENERGY STAR Product Specifications.

